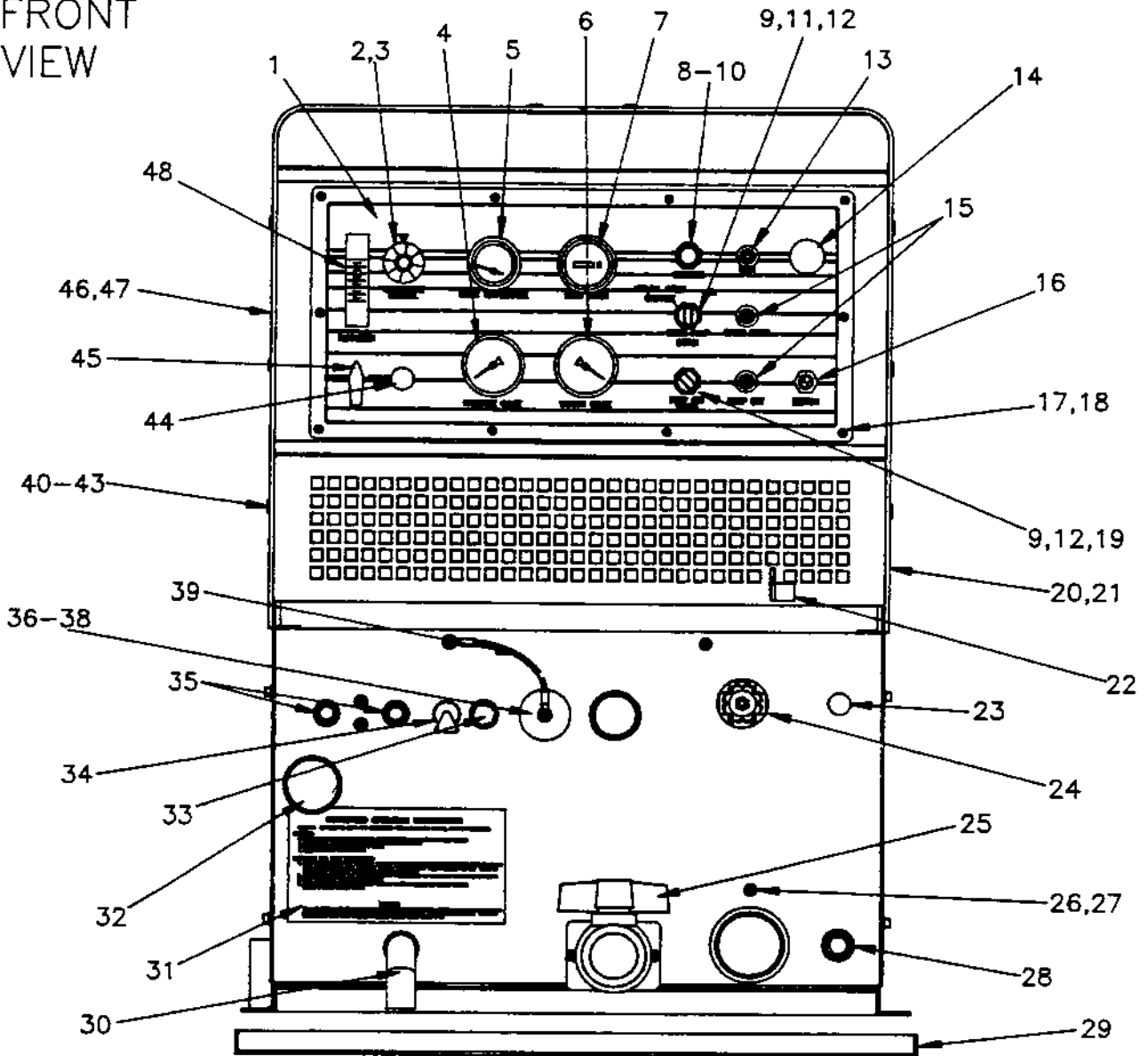


ILLUSTRATION INDEX (in alphabetical order)

ACCUMULATOR DETAIL	A-17
BYPASS MANIFOLD ASSEMBLY	A-18
CATALYTIC AIR PUMP ASSEMBLY	A-22
CHEMICAL SYSTEM, CHEMICAL PUMP	A-11
DEMAND PUMP ASSEMBLY	A-37
DIVERTER VALVE ASSEMBLY	A-23
ENGINE ASSEMBLY	A-3 & A-4
ENGINE COOLANT DETAIL	A-6
ENGINE EXHAUST HEAT EXCHANGER ASSEMBLY	A-15
EXTERNAL FUEL PUMP ASSEMBLY	A-29
FRAMEWORK ASSEMBLY	A-2
FRONT VIEW PARTS	A-1
GOVERNOR DETAIL	A-5
HELI-COIL HEAT EXCHANGER ASSEMBLY	A-14
HOSE ACCESSORIES	A-30
HOSE REEL ASSEMBLY	A-38
PRESSURE REGULATOR DETAIL	A-20
PRESSURE REGULATOR MANIFOLD ASSEMBLY	A-20
SHELF ASSEMBLY	A-35
SOLUTION OUTLET ASSEMBLY	A-16
SOLUTION OUTLET CHECK VALVE DETAIL	A-17
STAIR TOOL ASSEMBLY	A-33
TEMPERATURE BYPASS VALVE DETAIL	A-21
TEMPERATURE SOLENOID ASSEMBLY	A-21
UPHOLSTERY TOOL ASSEMBLY	A-34
VACUUM EXHAUST HEAT EXCHANGER (Performer)	A-12
VACUUM EXHAUST HEAT EXCHANGER (Performer 405)	A-13
VACUUM PUMP ASSEMBLY (Performer)	A-7
VACUUM PUMP ASSEMBLY (Performer 405)	A-8
VACUUM RELIEF VALVE DETAIL (Performer)	A-7
VACUUM RELIEF VALVE DETAIL (Performer 405)	A-8
WAND ASSEMBLIES	A-31 & A-32
WASTE PUMP ASSEMBLY	A-28
WASTE TANK ASSEMBLY (Performer)	A-24
WASTE TANK ASSEMBLY (Performer 100 Gallon)	A-26
WASTE TANK ASSEMBLY (Performer 405)	A-25
WASTE TANK ASSEMBLY (Performer 405 100 Gallon)	A-27
WASTE TANK FLOAT SWITCH DETAIL	A-24
WATER BOX ASSEMBLY	A-19
WATER BOX FLOAT VALVE DETAIL	A-19
WATER PUMP ASSEMBLY	A-9
WATER PUMP DETAIL	A-10
WATER TANK ASSEMBLY	A-36
WIRING DIAGRAM	A-39 & A-40

FRONT VIEW

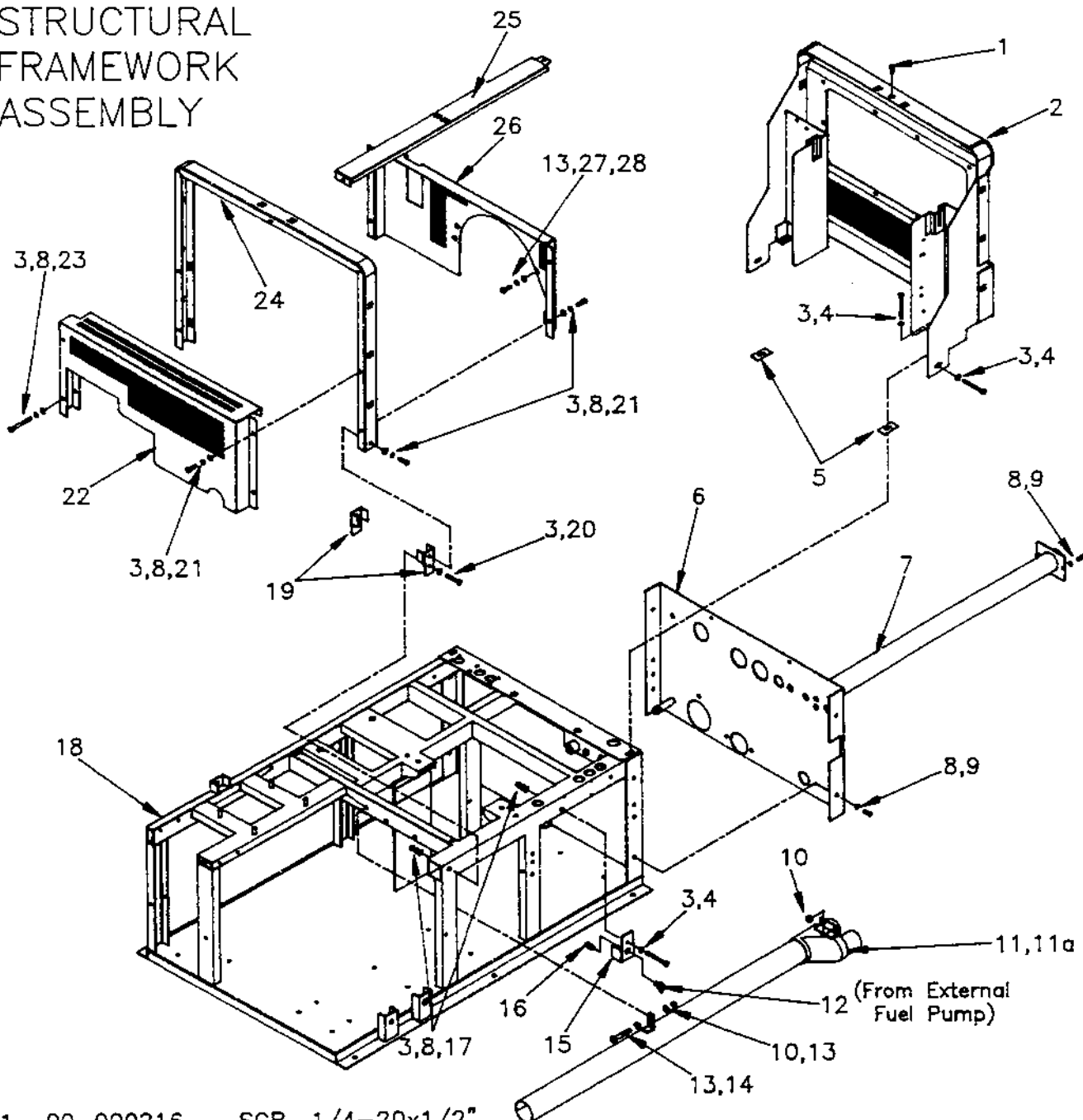


- | | |
|---|---|
| <p>1 50-501738.....PANEL, CONTROL
 2 35-900182.....CONTROL, TEMPERATURE 275deg *
 3 33-900193.....MICROSWITCH, TEMP CONTROL
 4 18-808526.....GAUGE, WATER PRESSURE 1500PSI
 5 18-808530.....GAUGE, WATER TEMP 320deg
 6 18-808525.....GAUGE, VACUUM 30"Hg
 7 34-903000.....HOUR METER, PANEL MT
 8 34-900099.....LIGHT, INDICATING DOME RED
 9 33-900169.....BULB, ROTARY SWITCH
 10 34-900103.....COVER, LENS RED
 11 61-950739.....ASSY, OIL/WATER OVERRIDE SWITCH
 12 34-900101.....COVER, LENS RETRY SWITCH
 13 33-900161.....BREAKER, CIRCUIT 30AMP
 14 49-802518.....CABLE, CHOKE
 15 33-900163.....BREAKER, CIRCUIT 20AMP
 16 32-900198.....SWITCH, START w/KEY**
 17 00-000337.....SCREW, 10-32x1" SOCHD
 18 01-000273.....NUT, WELL 10-32
 19 32-900180.....SWITCH, RETRY ILLUMINATED
 20 61-950720.....ASSY, RIGHT HOOD (Includes Parts 21 and 41-43)
 21 50-501751.....HOOD, RIGHT PRF/PRF405
 22 50-501679.....LEVER, THROTTLE CONTROL
 23 15-808107.....VALVE, METERING 1/8FP BYPASS
 24 15-808068.....REGULATOR, PRESSURE
 25 15-808080.....VALVE, BALL 1-1/2FP PVC
 26 02-000038.....LOCK WASHER, 1/4
 27 00-000210.....SCREW, 1/4-20x3/4" SOCHD</p> | <p>28 13-806008.....DISCONNECT, 3/8Fx3/8FP
 29 56-501845.....PAN, DRIP (Optional)
 30 55-501672.....TUBE, EXHAUST DEFLECTOR
 31 48-941197.....DECAL, CONDENSED OPERATING INSTRUCTIONS
 32 04-000285.....KNOB, CONTROL
 33 11-800168.....PLUG, 1/2 HXHD
 34 19-800075.....CUP, OIL FILL 1/8P
 35 13-806001.....DISCONNECT, 1/4Fx1/4FP
 36 66-945236.....KIT, VAC INLET PLUG (Includes Parts 37-39)
 37 52-501679.....PLUG, VACUUM INLET
 38 43-810081.....O-RING, 1-3/8IDx1-3/4OD
 39 64-950383.....CABLE, RETAINING VACUUM PLUG
 40 01-000259.....RECEPTACLE, SNAP-IN 1/4 TURN
 41 00-000272.....STUD, 1/4 TURN FASTENER
 42 02-000268.....RETAINER, SPLIT RING 1/4 TURN
 43 58-700023.....PAD, 1/4 TURN FASTENER
 44 15-808106.....VALVE, METERING, 1/8FP CHEMICAL
 45 15-808022.....VALVE, BALL 3-WAY 1/8FP
 46 61-950721.....ASSY, LEFT HOOD (Includes Parts 47,41-43)
 47 50-501752.....HOOD, LEFT PRF/PRF405
 48 18-808513.....FLOW METER, 1/8FP</p> <p>NOT SHOWN
 48-941198.....DECAL, PANEL PERFORMER
 48-941318.....DECAL, PANEL PERFORMER 405
 48-941212.....SHEET, COMPLETE UNIT DECAL (Warn & Inst)
 48-941195.....DECAL, HOOD PROCHEM</p> |
|---|---|

*Temp Knob only: pc-33900198-ea

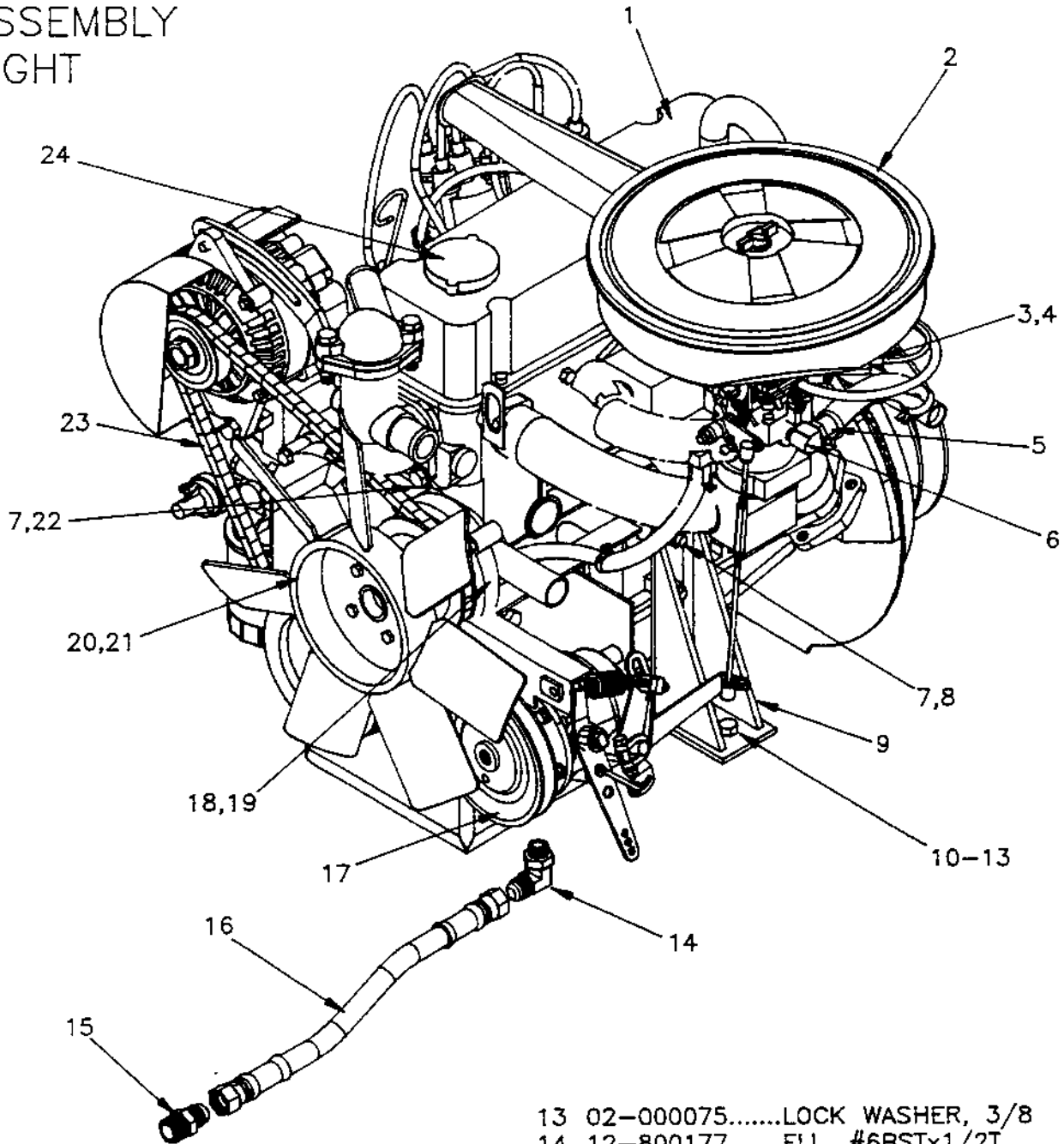
**Switch w/key: pc-32900201-ea

STRUCTURAL FRAMEWORK ASSEMBLY



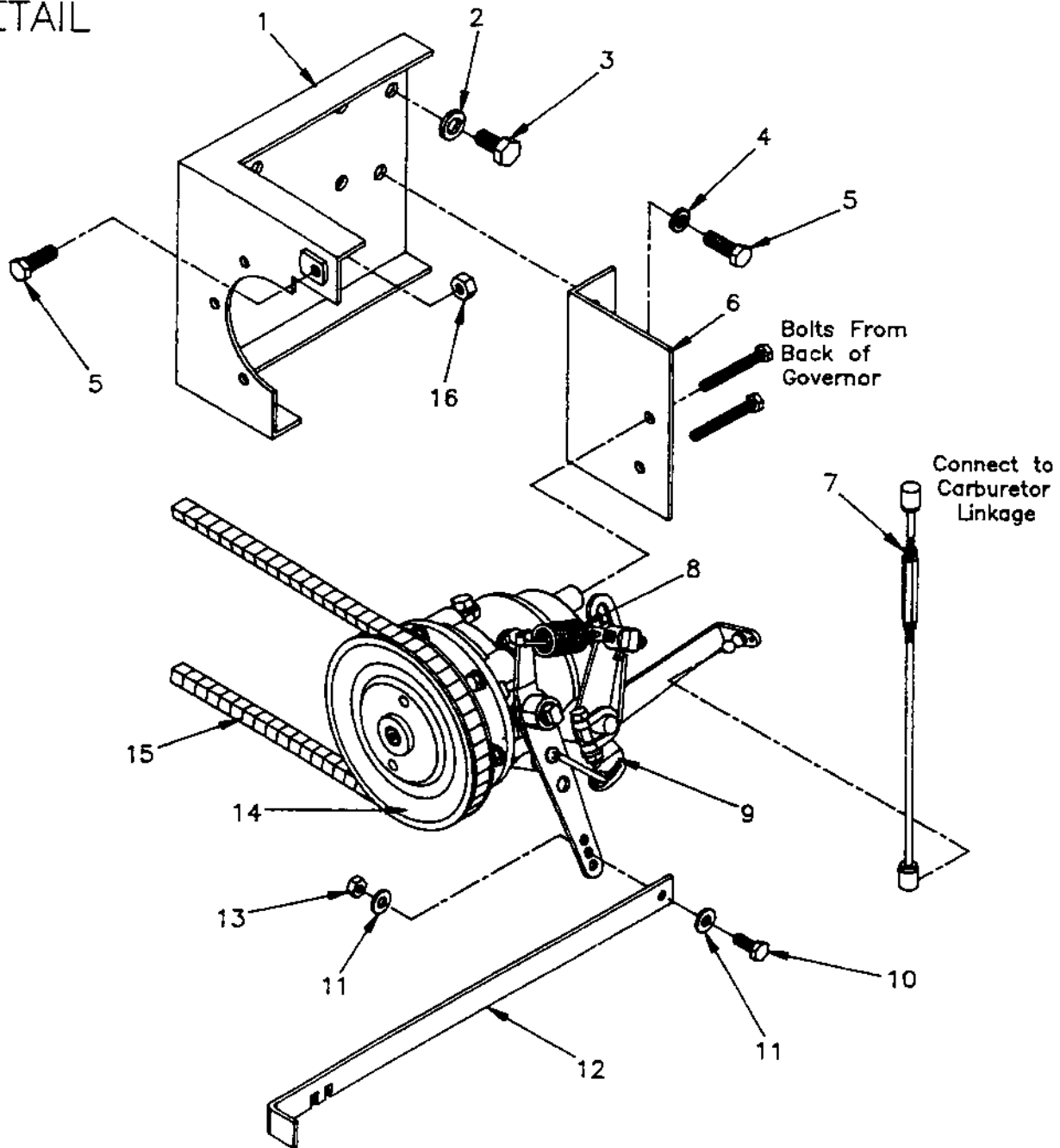
- | | | | |
|-----|------------------------------------|----|------------------------------------|
| 1 | 00-000216.....SCR, 1/4-20x1/2" | 15 | 56-501857.....BRACKET, FUEL LINE |
| 2 | 56-501875PC...MT, CONTROL PNL | 16 | 12-800065.....CONN, 1/8Px1/4T |
| 3 | 02-000066.....FLAT WASHER, 1/4 | 17 | 01-000037.....NUT, 1/4-20 HXHD |
| 4 | 00-000286.....SCREW, 1/4-20x2-3/4" | 18 | 56-502222PC...BASE, PRF/PRF405 |
| 5 | 58-700024.....PAD, VIBRATION CONTR | 19 | 56-502050.....BRACKET, HOOD MOUNT |
| 6 | 56-501877PC...PANEL, LOWER FRONT | 20 | 00-000122.....SCREW, 1/4-20x1-3/4" |
| 7 | 56-501738.....TUBE, WASTE DUMP | 21 | 00-000055.....SCREW, 1/4-20x3/4" |
| 8 | 02-000038.....LOCK WASHER, 1/4 | 22 | 56-501903.....GUARD, BELT |
| 9 | 00-000210.....SCREW, 1/4-20x3/4" | 23 | 00-000142.....SCREW, 1/4-20x2-1/2" |
| 10 | 01-000186.....LOCK NUT, 5/16-18 | 24 | 56-502051PC...BRACKET, REAR HOOD |
| 11 | 56-502220PC...TUBE, VAC INLET PRF | 25 | 56-502052PC...BRACKET, CENTER HOOD |
| 11a | 56-502221PC...TUBE, VAC IN PRF405 | 26 | 56-501904.....MOUNT, BELT GUARD |
| 12 | 12-800040.....ELL, 1/8Px1/4T | 27 | 02-000040.....LOCK WASHER, 5/16 |
| 13 | 02-000143.....FLAT WASHER, 5/16 | 28 | 00-000226.....SCREW, 8MM-1.25x20MM |
| 14 | 00-000247.....SCREW, 5/16-18x2" | | |

ENGINE
ASSEMBLY
RIGHT



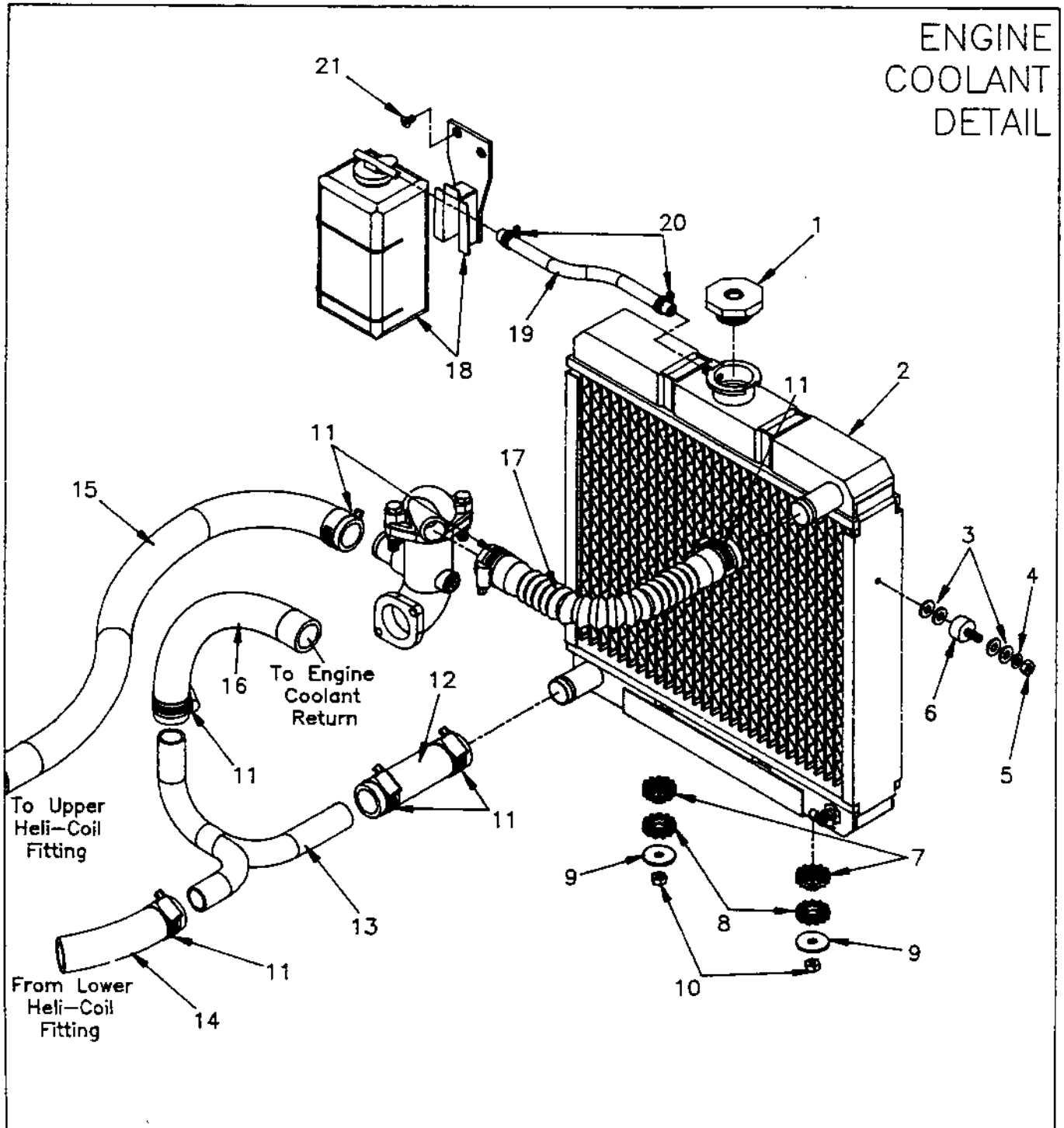
- | | | | |
|----|-------------------------------------|----|--------------------------------------|
| 1 | 66-902016.....ENGINE, NISSAN A-12 | 13 | 02-000075.....LOCK WASHER, 3/8 |
| 2 | 42-902140.....FILTER, AIR | 14 | 12-800177.....ELL, #6BSTx1/2T |
| 3 | 42-902208.....CARBURETOR, A-12 | 15 | 12-800141.....CONN, 1/2Px1/2T |
| 4 | 42-902149.....SOLENOID, ANTI-DIESEL | 16 | 10-805315.....HOSE, HP 3/8x13" |
| 5 | 42-902138.....VALVE, PCV | 17 | 42-902199.....GOVERNOR |
| 6 | 11-800045.....ELL, STREET 1/4 | 18 | 42-902349.....PUMP, WATER |
| 7 | 02-000040.....LOCK WASHER, 5/16 | 19 | 42-902350.....GASKET, WATER PUMP |
| 8 | 01-000210.....NUT, 8MM-1.25 HXHD | 20 | 42-902209.....BLADE, FAN |
| 9 | 56-501953.....MOUNT, RIGHT ENGINE | 21 | 42-902253.....BOLT, FAN |
| 10 | 00-000095.....SCREW, 3/8-16x1" | 22 | 00-000237.....SCREW, 8MM-1.25x25MM |
| 11 | 00-000295.....SCREW, 3/8-16x3" | 23 | 44-802230.....BELT, 11720-77702 |
| 12 | 02-000074.....FLAT WASHER, 3/8 | 24 | 42-902258.....CAP, OIL FILLER |
| | | | NOT SHOWN |
| | | | 42-902198.....KIT, CARBURETOR REPAIR |

ENGINE GOVERNOR DETAIL



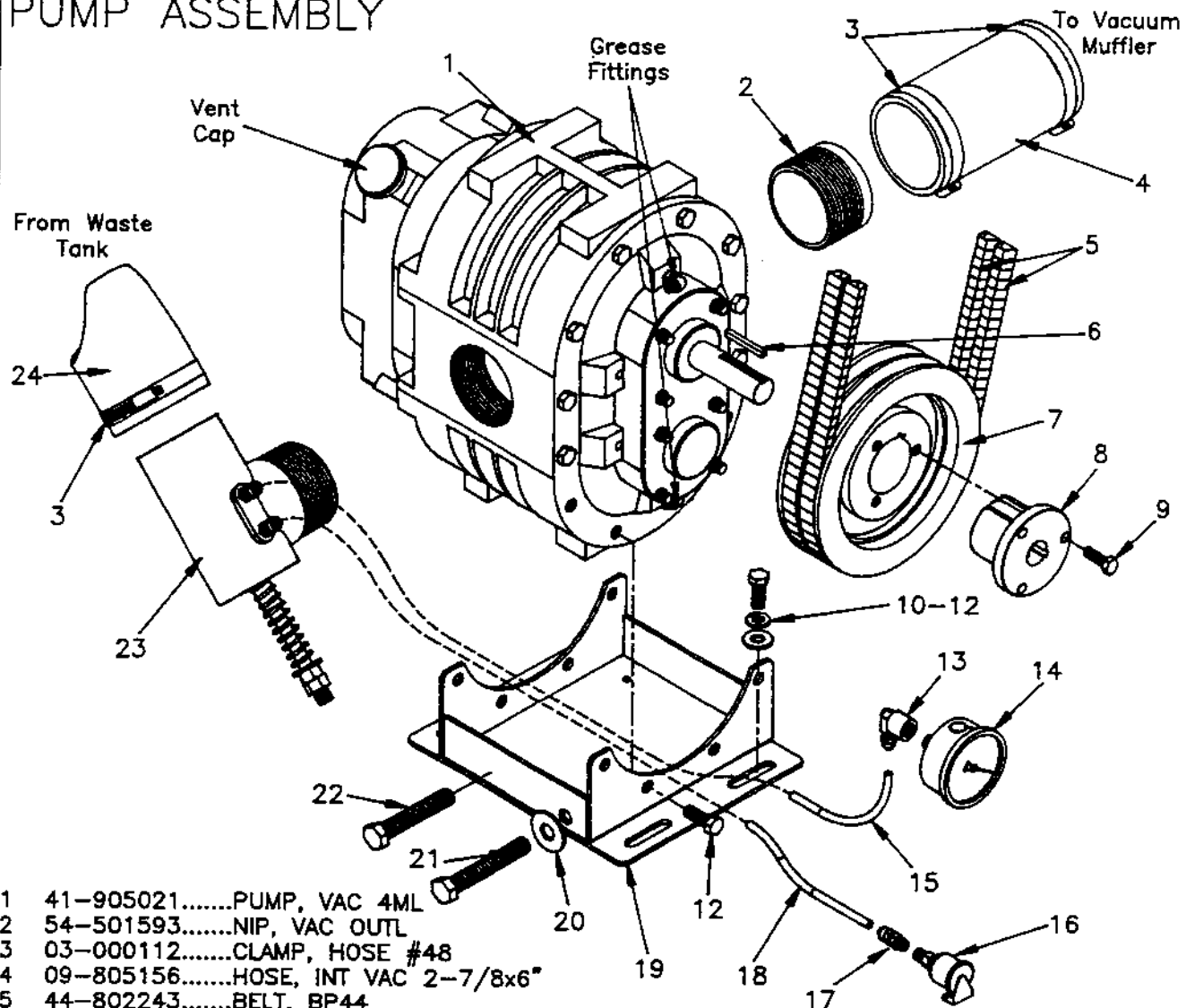
- | | | | |
|---|----------------------------------|----|--|
| 1 | 56-501869.....BRACKET, GOVERNOR | 10 | 00-000055.....SCREW, 1/4-20x3/4" |
| 2 | 02-000225.....LOCK WASHER, 7/16 | 11 | 02-000066.....FLAT WASHER, 1/4 |
| 3 | 00-000298.....SCREW, 10MMx20MM | 12 | 50-501679.....LEVER, THROTTLE CONTRL |
| 4 | 02-000040.....LOCK WASHER, 5/16 | 13 | 01-000023.....LOCK NUT, 1/4-20 |
| 5 | 00-000039.....SCREW, 5/16-18x1" | 14 | 44-802221.....PULLEY, GOVERNOR
(Part of Governor) |
| 6 | 56-501870.....BRACKET, REAR GOV | 15 | 44-802234.....BELT, AP29 |
| 7 | 42-902200.....ASSY, ROD GOV LINK | 16 | 01-000041.....NUT, 5/16-18 HXHD |
| 8 | 04-000288.....SPRING, GOVERNOR | | |
| 9 | 42-902199.....GOVERNOR | | |

ENGINE COOLANT DETAIL



- | | | | |
|----|------------------------------------|----|--------------------------------------|
| 1 | 49-802010.....CAP, RADIATOR | 12 | 09-805375.....HOS, RAD 1-1/8x5-1/2" |
| 2 | 57-520035.....RADIATOR | 13 | 58-500654.....CSTG, COOLANT MANIFOLD |
| 3 | 02-000143.....FLAT WASHER, 5/16 | 14 | 09-805423.....HOS, RAD 1-1/8x4-1/2" |
| 4 | 02-000040.....LOCK WASHER, 5/16 | 15 | 09-805422.....HOS, RAD 1-1/8x15" |
| 5 | 01-000041.....NUT, 5/16-18 HXHD | 16 | 09-805432.....HOS, RD 1-1/8x13-1/2" |
| 6 | 04-000294.....MOUNT, RAD 5/16-18 | 17 | 09-805444.....HOSE, UPPER RADIATOR |
| 7 | 04-000296.....FLEX, FINGER BUSHING | 18 | 42-902308.....BOTTLE, OVERFLOW |
| 8 | 04-000295.....FLEX, FINGER RING | 19 | 09-805159.....HOS, BRD 5/16x13-1/2" |
| 9 | 50-501761.....WASHER, RADIATOR | 20 | 03-000065.....CLAMP, HOSE #4 |
| 10 | 01-000186.....LOCK NUT, 5/16-18 | 21 | 00-000216.....SCR, 1/4-20x1 1/2" SOC |
| 11 | 03-000248.....CLAMP, HOSE #16 | | |

PERFORMER VACUUM PUMP ASSEMBLY



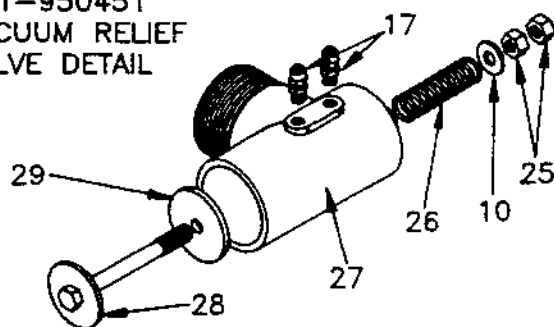
- 1 41-905021.....PUMP, VAC 4ML
- 2 54-501593.....NIP, VAC OUTL
- 3 03-000112.....CLAMP, HOSE #48
- 4 09-805156.....HOSE, INT VAC 2-7/8x6"
- 5 44-802243.....BELT, BP44
- 6 54-501735.....KEYSTOCK, 3/16x1-5/8"
(Part of Vacuum Pump)
- 7 44-802242.....PULLEY, 2TB68
- 8 44-802196.....HUB, P1x7/8
- 9 00-000340.....SCREW, 5/16-18x1" GR8
- 10 02-000074.....FLAT WASHER, 3/8
- 11 02-000075.....LOCK WASHER, 3/8
- 12 00-000095.....SCREW, 3/8-16x1"
- 13 12-800101.....ELL, 1/4FPx1/4POLY
- 14 18-808525.....GAUGE, VACUUM 30"Hg
- 15 09-805427.....TUBING, IMPOLENE 1/4x54"
- 16 19-800075.....CUP, OIL FILL 1/8P
- 17 12-800059.....CONN, 1/8Px1/4POLY
- 18 09-805429.....TUBING, IMPOLENE 1/4x42"
- 19 56-501866.....BRACKET, VAC ADJUST PRF
- 20 02-000057.....FLAT WASHER, 1/2 HEAVY
- 21 00-000323.....SCREW, 1/2-13x3-1/2"
- 22 00-000324.....SCREW, 1/2-13x3"
- 23 61-950451.....ASSY, VAC RELIEF VLV PRF
- 24 09-805341.....HOSE, INT VAC 2-7/8x25"
- 25 01-000224.....NUT, 7/16-14 HXHD
- 26 04-000091.....SPRING, VAC RELIEF VALVE

- 27 52-501573.....ELL, VAC RELIEF VALVE PRF
- 28 56-501615.....STEM, VAC RELIEF VALVE PRF
- 29 43-807074.....DIAPHRAGM, VAC REL VLV

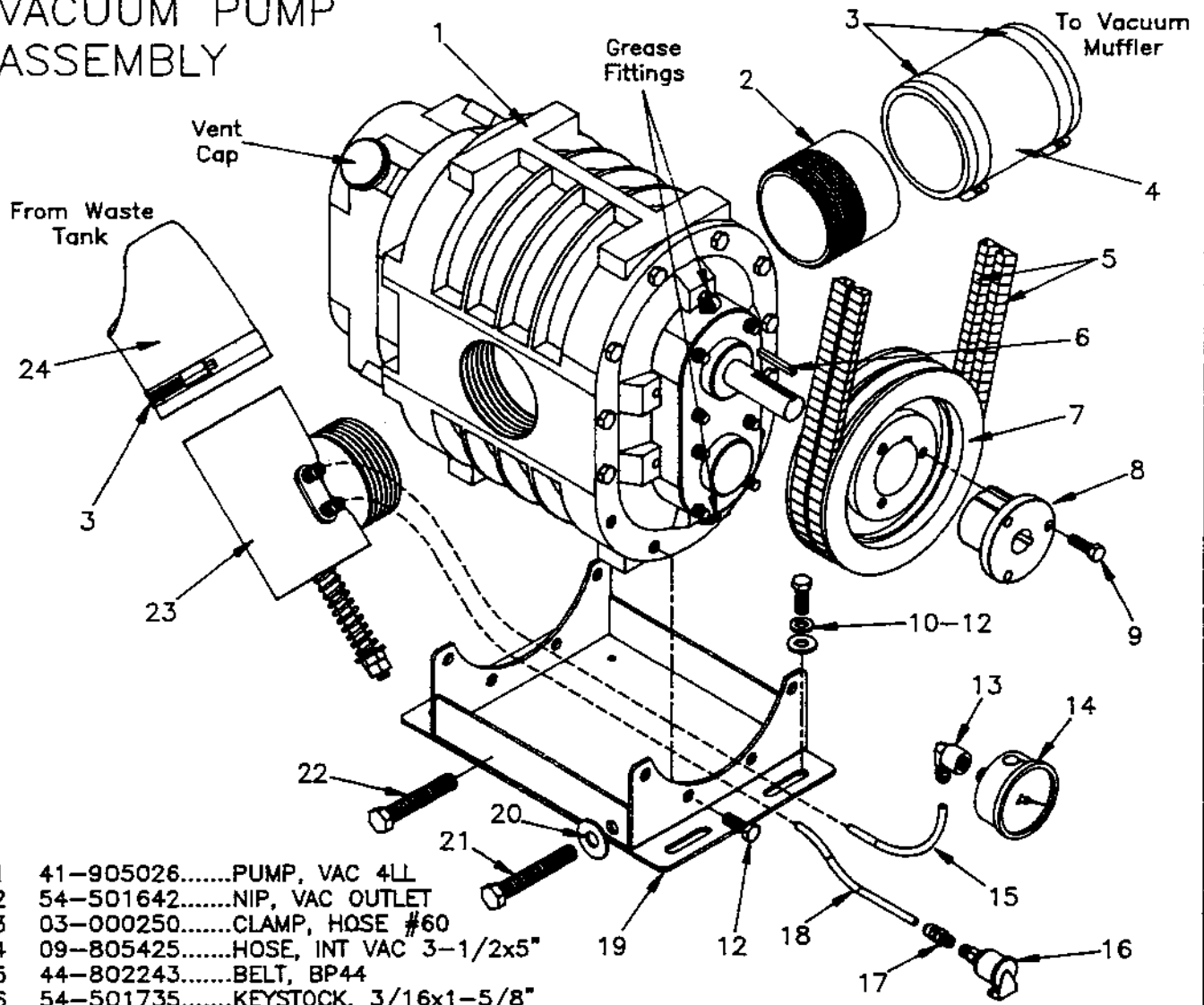
NOT SHOWN

- 05-008039.....OIL, AEON PD (28G24 SUTOR.)
- 05-008032.....GREASE, LUBRIPLT 14-1/2oz

#61-950451 VACUUM RELIEF VALVE DETAIL



PERFORMER 405 VACUUM PUMP ASSEMBLY

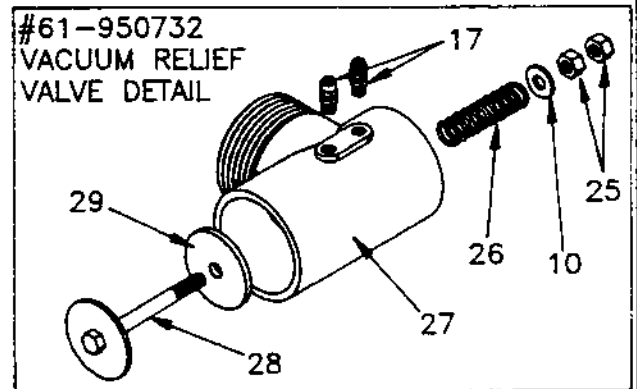


- 1 41-905026.....PUMP, VAC 4LL
- 2 54-501642.....NIP, VAC OUTLET
- 3 03-000250.....CLAMP, HOSE #60
- 4 09-805425.....HOSE, INT VAC 3-1/2x5"
- 5 44-802243.....BELT, BP44
- 6 54-501735.....KEYSTOCK, 3/16x1-5/8"
(Part of Vacuum Pump)
- 7 44-802242.....PULLEY, 2TB68
- 8 44-802196.....HUB, P1x7/8
- 9 00-000340.....SCREW, 5/16-18x1" GR8
- 10 02-000074.....FLAT WASHER, 3/8
- 11 02-000075.....LOCK WASHER, 3/8
- 12 00-000095.....SCREW, 3/8-16x1"
- 13 12-800101.....ELL, 1/4FPx1/4POLY
- 14 18-808525.....GAUGE, VACUUM 30"Hg
- 15 09-805566.....TUBING, IMPOLENE 1/4x57"
- 16 19-800075.....CUP, OIL FILL 1/8P
- 17 12-800059.....CONN, 1/8Px1/4POLY
- 18 09-805567.....TUBING, IMPOLENE 1/4x45"
- 19 56-501935.....BRACKET, VAC ADJUST PRF405
- 20 02-000057.....FLAT WASHER, 1/2 HEAVY
- 21 00-000323.....SCREW, 1/2-13x3-1/2"
- 22 00-000324.....SCREW, 1/2-13x3"
- 23 61-950732.....ASSY, VAC RELIEF VLV PRF405
- 24 09-805426.....HOSE, INT VAC 3-1/2x25"
- 25 01-000224.....NUT, 7/16-14 HXHD
- 26 04-000091.....SPRING, VAC RELIEF VALVE
- 27 52-501684.....ELL, VAC REL VLV PRF405

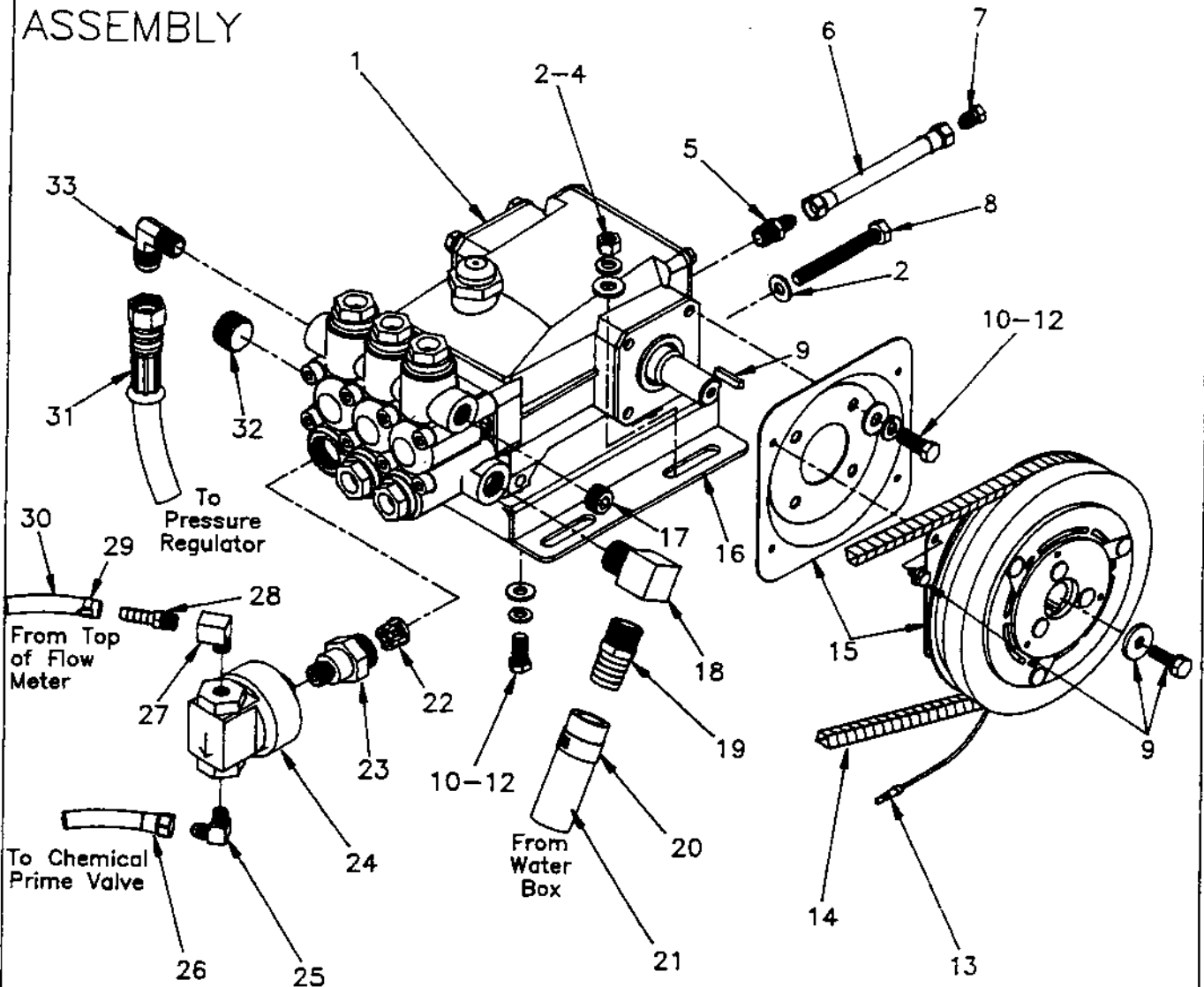
- 28 56-501994.....STEM, VAC RELIEF VLV PRF405
- 29 43-807106.....DIAPHRAGM, VAC REL VLV

NOT SHOWN

- 05-008039.....OIL, AEON PD (28G24 SUTOR.)
- 05-008032.....GREASE, LUBRIPLT 14-1/2oz

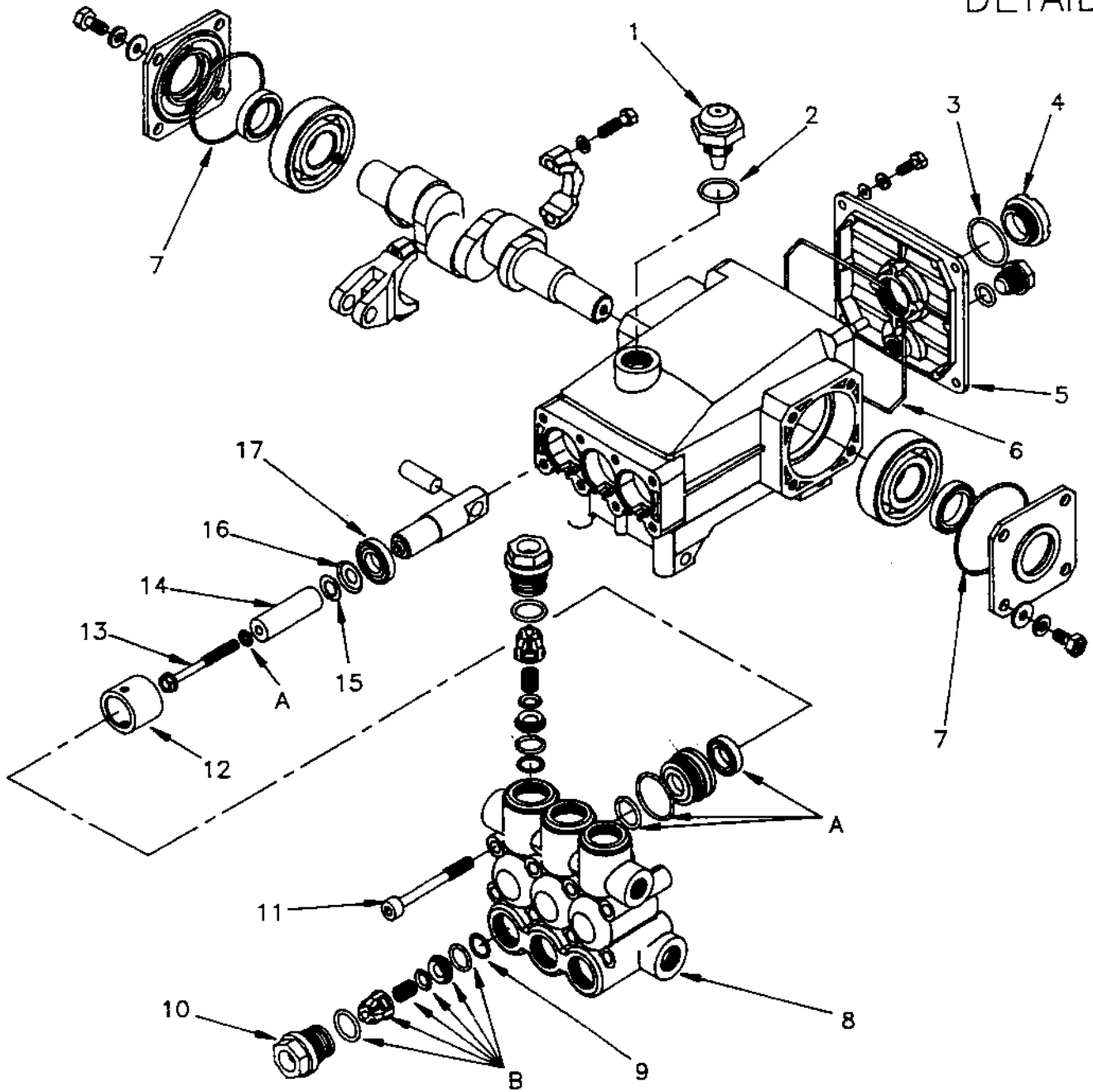


WATER PUMP ASSEMBLY



- | | | | |
|----|----------------------------------|--------------------------------------|--------------------------------------|
| 1 | 41-809149.....PMP, CAT 5CP2150 | 18 | 52-800315.....ELL, STRT 1/2 (mach'd) |
| 2 | 02-000074.....FLAT WASHER, 3/8 | 19 | 12-800278.....FTTG, BARB 1/2Px3/4H |
| 3 | 02-000075.....LOCK WASHER, 3/8 | 20 | 03-000113.....CLAMP, HOSE #12 |
| 4 | 01-000073.....NUT, 3/8-16 HXHD | 21 | 09-805435.....HOSE, WATER 3/4x33" |
| 5 | 12-800060.....CONN, 1/4Px1/4T | 22 | 52-809123.....CAT RETAIN, VLV SPRING |
| 6 | 10-805316.....HOSE, 3/16x5" | 23 | 52-809125.....ADPT, CAT CHEMICAL PMP |
| 7 | 12-800029.....PLUG, 1/4T | 24 | 41-809144.....PUMP, CHEMICAL |
| 8 | 00-000278.....SCR, 3/8-16x3-1/2" | 25 | 12-800040.....ELL, 1/8Px1/4T |
| 9 | 42-809395.....PACK, HRDWR CLUTCH | 26 | 10-805278.....HOSE, 3/16x54" |
| 10 | 02-000143.....FLAT WASHER, 5/16 | 27 | 11-800014.....ELL, STREET 1/8 |
| 11 | 02-000040.....LOCK WASHER, 5/16 | 28 | 12-800093.....FTTG, BARB 1/8Px5/16H |
| 12 | 00-000226.....SCR, 8MM-1.25x20MM | 29 | 03-000065.....CLAMP, HOSE #4 |
| 13 | 31-900185.....CONN, BULLET M | 30 | 09-805088.....HOSE, BRAID 5/16x64" |
| 14 | 44-802224.....BELT, AP39 | 31 | 10-805359.....HOSE, HP 3/8x42" |
| 15 | 36-900141.....CLUTCH, ELEC PUMP | 32 | 11-800069.....PLUG, 1/2 SOCHD |
| 16 | 56-501995.....BRKT, PUMP ADJUST | 33 | 12-800225.....ELL, 3/8Px1/2T |
| 17 | 11-800224.....PLUG, 3/8 SOCHD | | |
| | | NOT SHOWN | |
| | | 05-008016.....OIL, 21oz CAT WTR PUMP | |

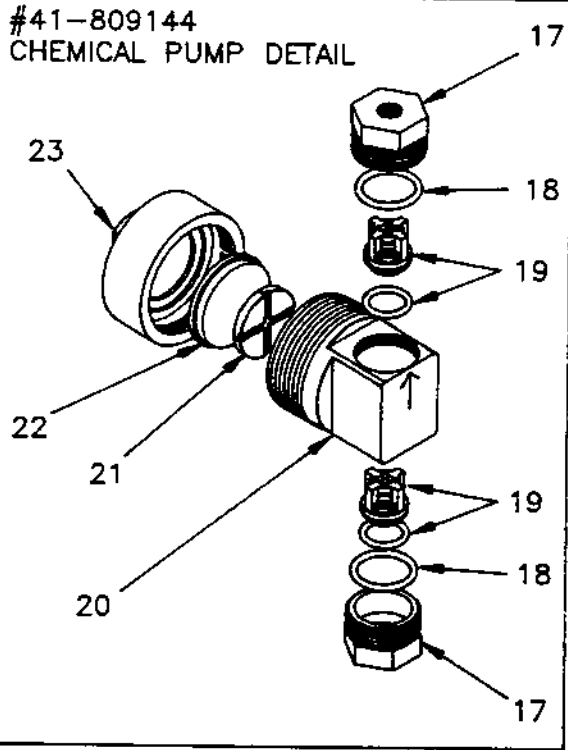
WATER PUMP DETAIL



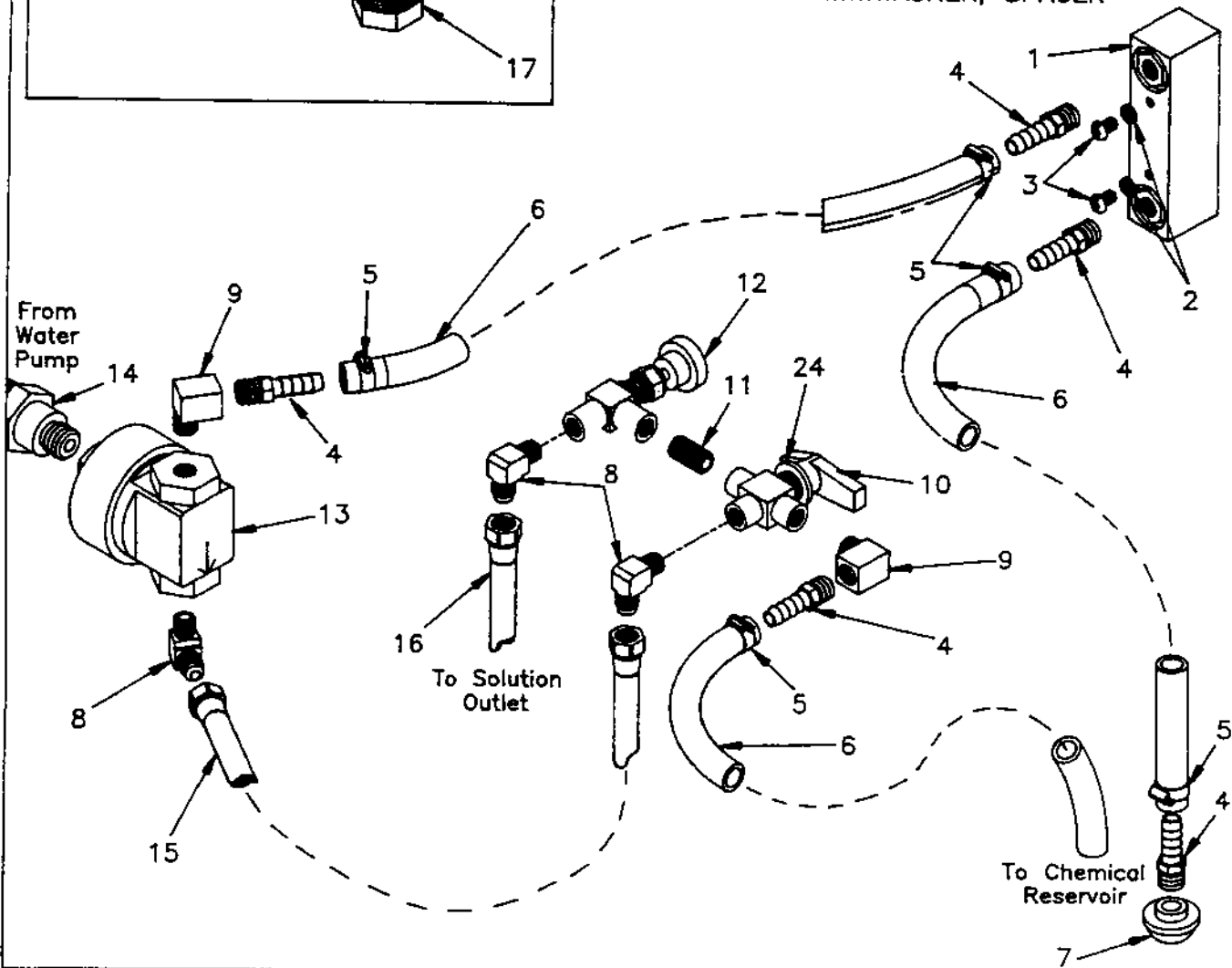
- | | | | |
|----|------------------------------------|----|---|
| 1 | 42-809393.....CAP, OIL FILLER | 12 | 42-809384.....RETAINER, SEAL |
| 2 | 42-809239.....O-RING, OIL FILL CAP | 13 | 42-809383.....RETAIN, PLNGR W/STUD |
| 3 | 43-807063.....GASKET, OIL GAUGE | 14 | 42-809413.....PLUNGER, 5CP2150 |
| 4 | 42-902380.....GAUGE, OIL LEVEL | 15 | 42-809249.....WASHER, KEYHOLE M18 |
| 5 | 42-809392.....COVER, CRANKCASE | 16 | 42-809246.....SLINGER, BARRIER |
| 6 | 42-809391.....O-RING, CRANK CVR | 17 | 42-809380.....SEAL, OIL CRANKCASE |
| 7 | 42-809394.....O-RING, BRNG CVR | A | 42-809396.....KIT, SEAL (order 1 each
to replace all seals) |
| 8 | 42-809412.....MANIFOLD, HEAD | B | 66-950440.....KIT, VALVE (order 1 ea.
to replace all valves) |
| 9 | 42-809398.....RING, BACK-UP SEAT | | |
| 10 | 42-809253.....PLUG, VALVE | | |
| 11 | 42-809385.....BOLT, MNFLD M8x70 | | |

CHEMICAL SYSTEM

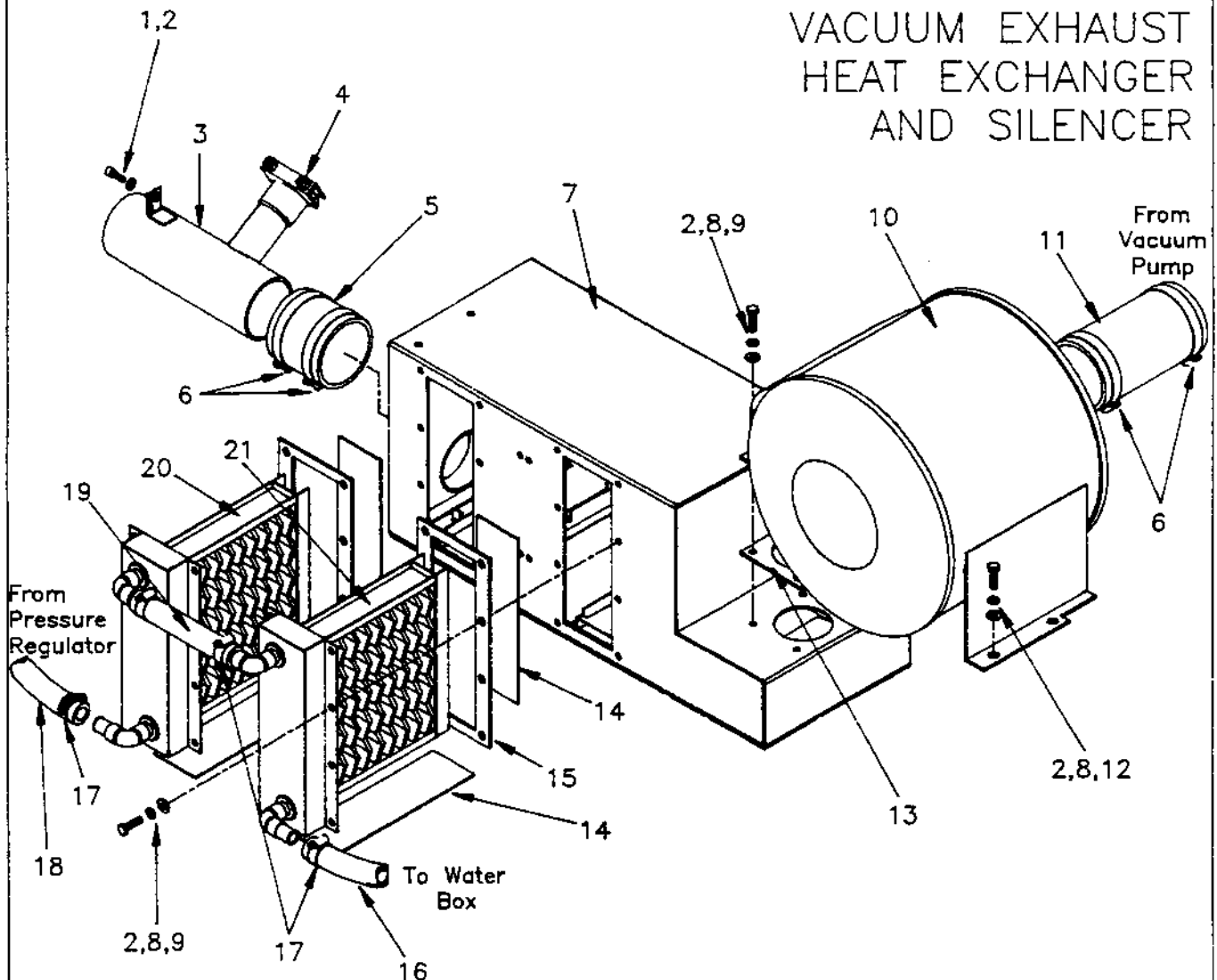
#41-809144
CHEMICAL PUMP DETAIL



- 1 18-808513.....FLOW METER, 1/8FP
- 2 02-000032.....LOCK WASHER, #10
- 3 00-000065.....SCREW, 10-32x3/8"
- 4 12-800093.....FTTG, BARB 1/8Px5/16H
- 5 03-000065.....CLAMP, HOSE #4
- 6 09-805088.....HOSE, BRAID 5/16x64"
- 7 14-806506.....STRNR, SUC END 1/8FP
- 8 12-800040.....ELL, 1/8Px1/4T
- 9 11-800014.....ELL, STREET 1/8
- 10 15-808022.....VLV, BALL 3-WAY 1/8FP
- 11 11-800105.....NIP, 1/8 CLOSE
- 12 15-808106.....VALVE, METERING 1/8FP
- 13 41-809144.....PUMP, CHEMICAL
- 14 52-809125.....ADAPT, CHEM PMP
- 15 10-805278.....HOSE, 3/16x54"
- 16 10-805131.....HOSE, 3/16x20-1/2"
- 17 16-808237.....CAP, CHK VLV CHEM PMP
- 18 43-810079.....O-RING, 7/8IDx1-1/16OD
- 19 42-809265.....CHECK VALVE, CHEM PMP
- 20 42-809358.....BODY, CHEM PUMP
- 21 42-809264.....DISK, CHEM PUMP
- 22 42-809047.....DIAPHRAGM, CHEM PUMP
- 23 42-809045.....COVER, CHEM PUMP
- 24 50-501663.....WASHER, SPACER

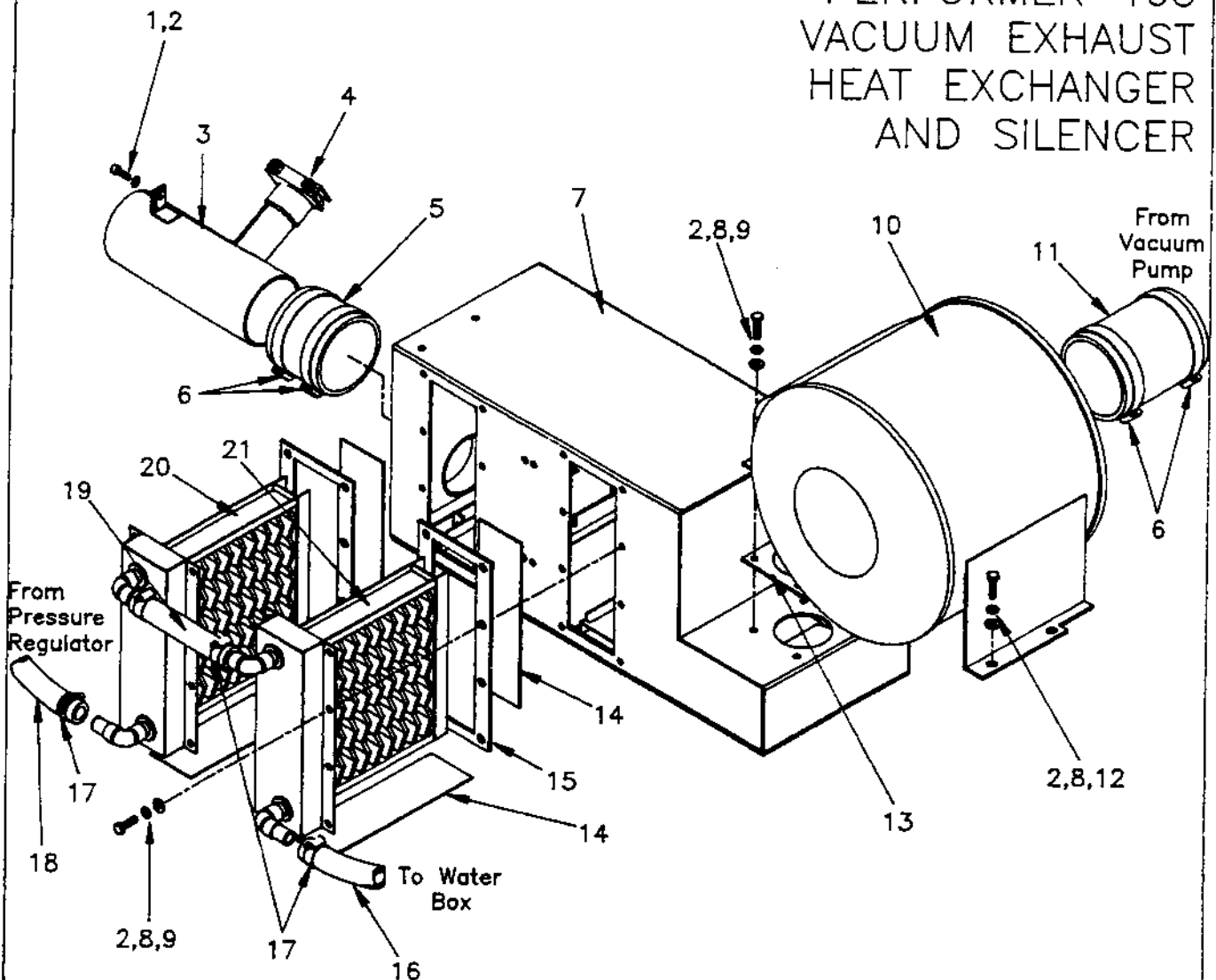


PERFORMER VACUUM EXHAUST HEAT EXCHANGER AND SILENCER



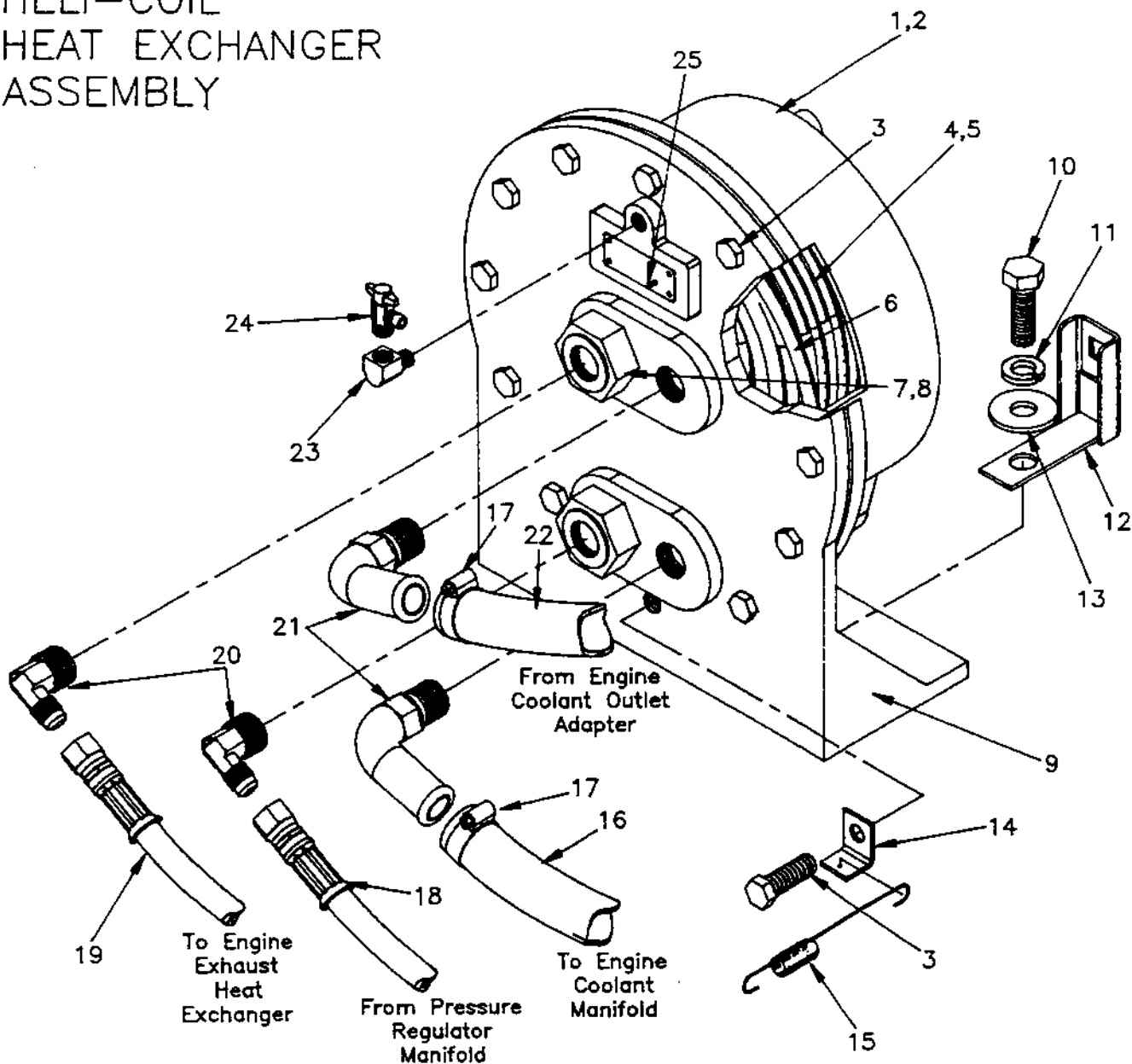
- | | | |
|----|----------------|-------------------------------|
| 1 | 00-000210..... | SCREW, 1/4-20x3/4" SOCHD |
| 2 | 02-000038..... | LOCK WASHER, 1/4 |
| 3 | 56-501939..... | ASSY, EXHAUST OUTLET PRF |
| 4 | 03-000081..... | CLAMP, MUFFLER 1-1/2" |
| 5 | 09-805344..... | HOSE, INT VAC 2-7/8x3" |
| 6 | 03-000112..... | CLAMP, HOSE #48 |
| 7 | 56-501881..... | HOUSING, VAC HEAT EXCHNGR PRF |
| 8 | 02-000066..... | FLAT WASHER, 1/4 |
| 9 | 00-000055..... | SCREW, 1/4-20x3/4" HXHD |
| 10 | 57-520082..... | MUFFLER, VACUUM PRF |
| 11 | 09-805156..... | HOSE, INT VAC 2-7/8x6" |
| 12 | 00-000078..... | SCREW, 1/4-20x1" HXHD GR8 |
| 13 | 43-807080..... | GASKET, VAC HE INLET PRF |
| 14 | 58-700027..... | PAD, VAC HE CORE |
| 15 | 43-807081..... | GASKET, VAC HE CORE |
| 16 | 09-805288..... | HOSE, WATER 5/8x27" |
| 17 | 03-000246..... | CLAMP, HOSE #8 |
| 18 | 09-805343..... | HOSE, WATER 5/8x17" |
| 19 | 09-805372..... | HOSE, WATER 5/8x6-1/2" |
| 20 | 61-950695..... | ASSY, VAC HE CVR (Front) |
| 21 | 61-950696..... | ASSY, VAC HE CVR (Rear) |

PERFORMER 405 VACUUM EXHAUST HEAT EXCHANGER AND SILENCER



- | | | |
|----|----------------|--------------------------------|
| 1 | 00-000210..... | SCREW, 1/4-20x3/4" SOCHD |
| 2 | 02-000038..... | LOCK WASHER, 1/4 |
| 3 | 56-501955..... | ASSY, EXHAUST OUTLET PRF405 |
| 4 | 03-000081..... | CLAMP, MUFFLER 1-1/2" |
| 5 | 09-805433..... | HOSE, INT VAC 3-1/4x2-1/2" |
| 6 | 03-000250..... | CLAMP, HOSE #60 |
| 7 | 56-501938..... | HOUSING, VAC HEAT EXCHG PRF405 |
| 8 | 02-000066..... | FLAT WASHER, 1/4 |
| 9 | 00-000055..... | SCREW, 1/4-20x3/4" HXHD |
| 10 | 57-520089..... | MUFFLER, VACUUM PRF405 |
| 11 | 09-805425..... | HOSE, INT VAC 3-1/2x5" |
| 12 | 00-000078..... | SCREW, 1/4-20x1" HXHD GR8 |
| 13 | 43-807108..... | GASKET, VAC HE INLET PRF405 |
| 14 | 58-700027..... | PAD, VAC HE CORE |
| 15 | 43-807081..... | GASKET, VAC HE CORE |
| 16 | 09-805288..... | HOSE, WATER 5/8x27" |
| 17 | 03-000246..... | CLAMP, HOSE #8 |
| 18 | 09-805343..... | HOSE, WATER 5/8x17" |
| 19 | 09-805372..... | HOSE, WATER 5/8x6-1/2" |
| 20 | 61-950695..... | ASSY, VAC HE CVR (Front) |
| 21 | 61-950696..... | ASSY, VAC HE CVR (Rear) |

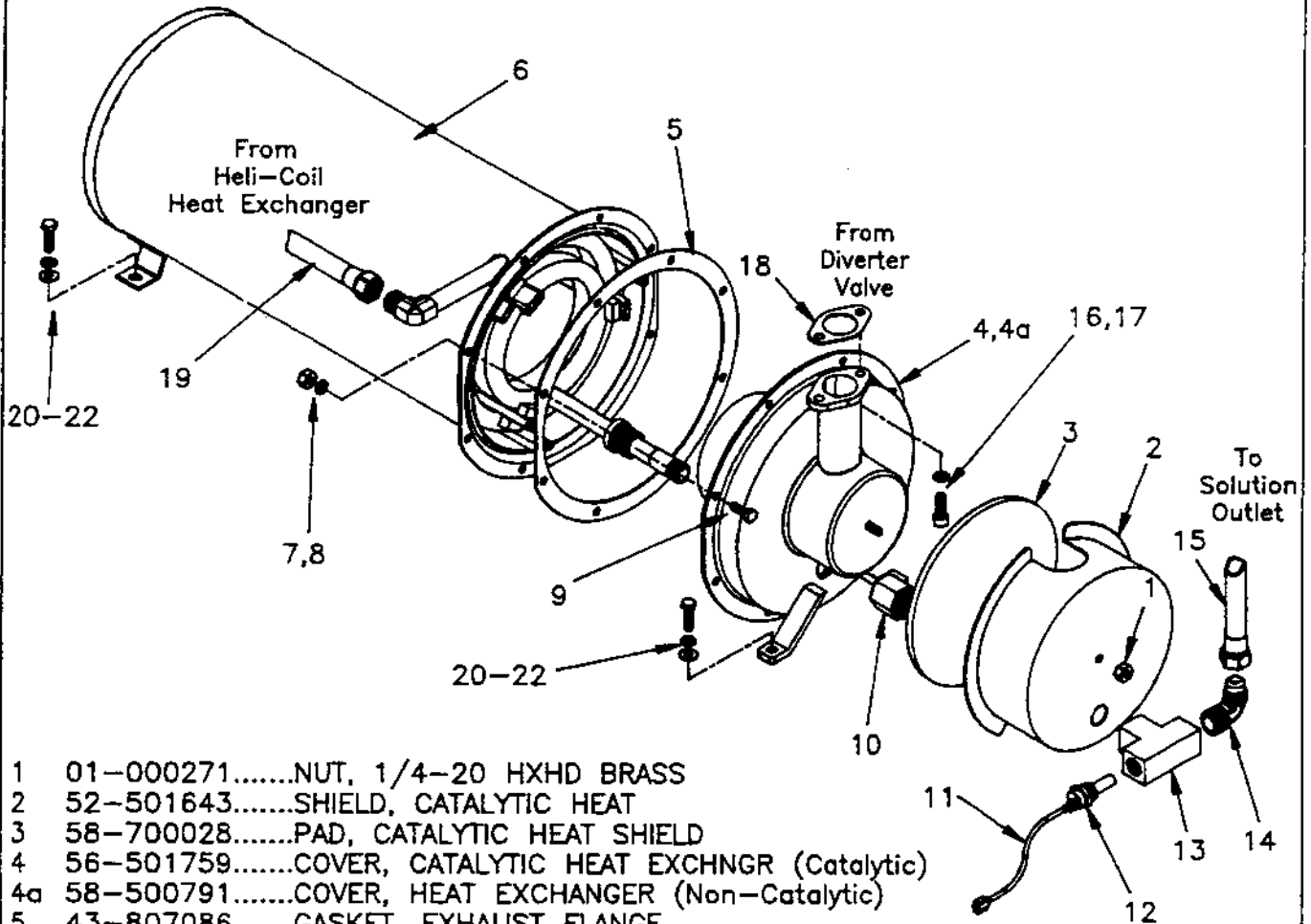
HELI-COIL HEAT EXCHANGER ASSEMBLY



- | | |
|---|--|
| 1 57-520073.....HEAT EXCHANGER, PRF
(includes Parts 2-9) | 15 04-000287.....SPRING, DIVERTER RETURN |
| 2 52-501583.....SHELL, HEAT EXCHNGR | 16 09-805423.....HOS, RAD 1-1/8x4-1/2" |
| 3 00-000293.....SCR, 1/2-13x1-1/4" | 17 03-000248.....CLAMP, HOSE #16 |
| 4 57-520033.....COIL, HEAT EXCHNGR | 18 10-805375.....HOSE, HP 3/8x19" |
| 5 43-807051.....GSKT, MNFLD (2 req'd) | 19 10-805274.....HOSE, HP 3/8x26" |
| 6 43-807049.....GSKT, HEAT EXCHNGR | 20 12-800326.....ELL, 3/4Px1/2T |
| 7 52-000124.....NUT, 1-3/4-12 HXHD | 21 52-501627.....INLET, HEAT EXCHANGER |
| 8 56-501505.....RING, LOCK MNFLD | 22 09-805422.....HOSE, RAD 1-1/8x15" |
| 9 52-501631.....PLATE, COVER HE | 23 11-800045.....ELL, STREET 1/4 |
| 10 00-000363.....SCR, 5/8-11x2" | 24 15-808073.....COCK, DRAIN 1/4Px1/4H |
| 11 02-000232.....LOCK WASHER, 5/8 | 25 00-000015.....SCR, DRIVE .098Dx3/16" |
| 12 56-502005.....BRKT, RIGHT HOOD | |
| 13 02-000088.....FLAT WASHER, 5/8 | |
| 14 50-501686.....CLIP, SPRING | |
- NOT SHOWN
66-945200.....KIT, HELI-COIL w/GSKTS
(includes Parts 4-6)

ENGINE EXHAUST HEAT EXCHANGER

CATALYTIC ASSEMBLY #61-950628 (Includes Parts 1-4, 5-14)
NON-CATALYTIC ASSEMBLY #61-950582 (Includes Parts 4a-14)

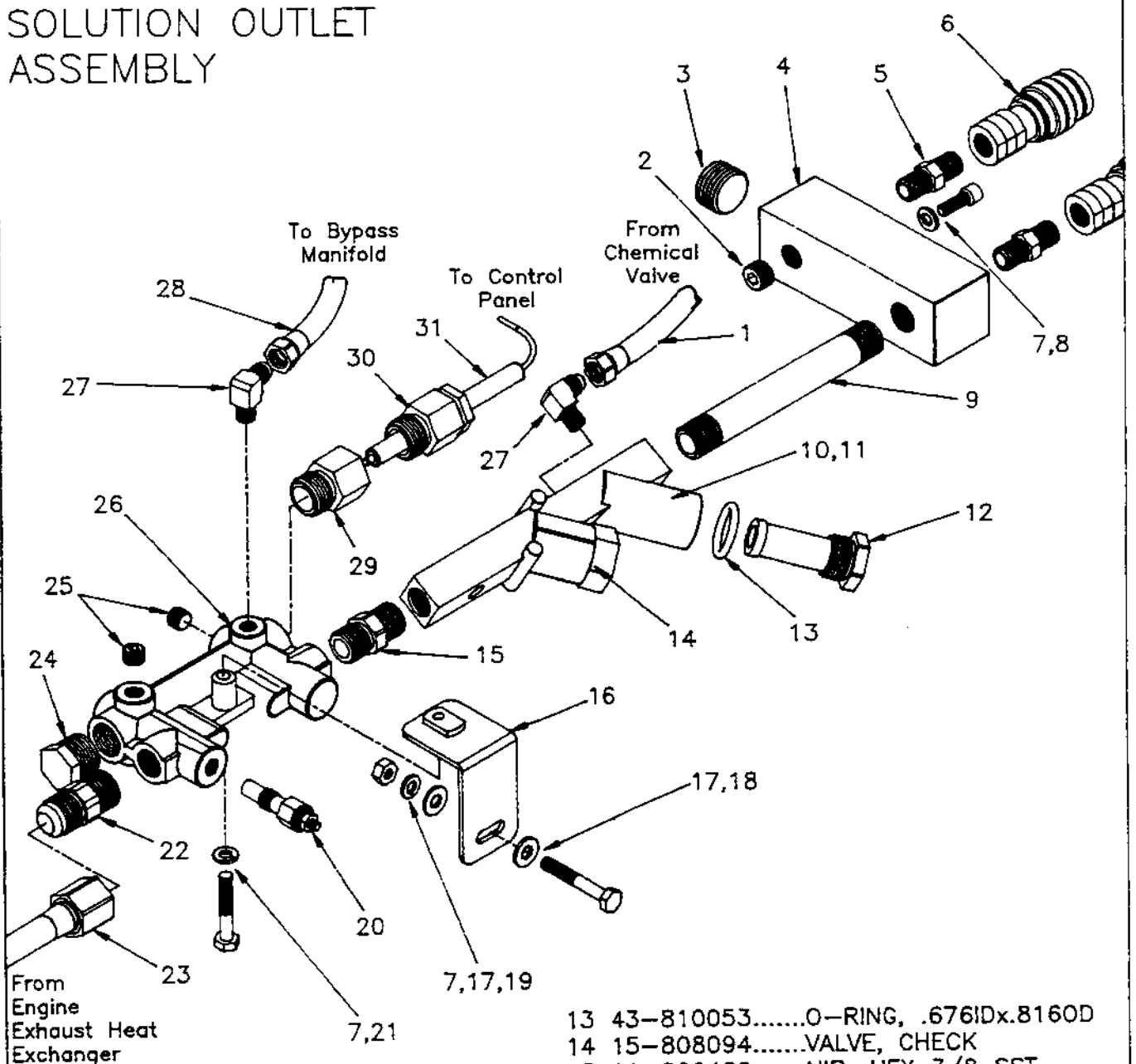


- 1 01-000271.....NUT, 1/4-20 HXHD BRASS
- 2 52-501643.....SHIELD, CATALYTIC HEAT
- 3 58-700028.....PAD, CATALYTIC HEAT SHIELD
- 4 56-501759.....COVER, CATALYTIC HEAT EXCHNGR (Catalytic)
- 4a 58-500791.....COVER, HEAT EXCHANGER (Non-Catalytic)
- 5 43-807086.....GASKET, EXHAUST FLANGE
- 6 57-520074.....ASSEMBLY, COIL MOUNT & CASING
- 7 01-000045.....NUT, 1/4-20 HXHD SST
- 8 02-000044.....LOCK WASHER, 1/4 SST
- 9 00-000019.....SCREW, 1/4-20 HXHD SST
- 10 52-501654.....NUT, ADAPTER BUSHING
- 11 64-950546.....ASSEMBLY, HI TEMP SHUTOFF WIRE
- 12 35-900184.....SENSOR, TEMPERATURE 285deg
- 13 52-501671.....FITTING, TEMP SENSOR ADAPTER
- 14 12-800171.....ELL, 1/2Px1/2T
- 15 10-805376.....HOSE, 1/2x14-1/2" (1/2FT BS) SST
- 16 02-000274.....LOCK WASHER, 5/16 (Allen screw)
- 17 00-000315.....SCREW, 5/16-18x7/8" SOCHD
- 18 42-902212.....ONAN GASKET, EXHAUST
- 19 10-805274.....HOSE, HP 3/8x26" (1/2FT BS)
- 20 02-000066.....FLAT WASHER, 1/4
- 21 02-000038.....LOCK WASHER, 1/4
- 22 00-000078.....SCREW, 1/4-20x1" HXHD GR8

NOT SHOWN

- 66-945532.....CORE, EXHAUST HEAT EXCHANGER CORE
(Includes Parts 3,5,6, and 18)

SOLUTION OUTLET ASSEMBLY

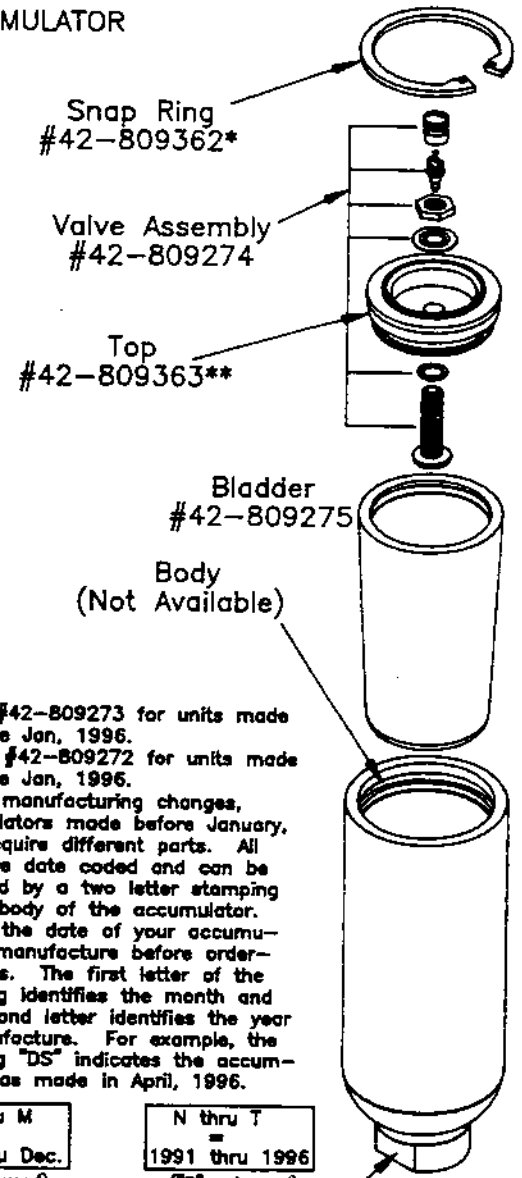


From Engine Exhaust Heat Exchanger

- | | | | |
|----|---|----|--------------------------------------|
| 1 | 10-805131.....HOSE, 3/16x20-1/2" | 13 | 43-810053.....O-RING, .676IDx.816OD |
| 2 | 11-800345.....PLUG, 1/4 SOCHD | 14 | 15-808094.....VALVE, CHECK |
| 3 | 11-800069.....PLUG, 1/2 SOCHD | 15 | 11-800429.....NIP, HEX 3/8 SST |
| 4 | 52-501653.....MANIFOLD, OUTLET | 16 | 56-501975.....BRKT, THERM MNFLD MT |
| 5 | 11-800029.....NIP, HEX 1/4 BR | 17 | 02-000066.....FLAT WASHER, 1/4 |
| 6 | 13-806001.....DSC, 1/4Fx1/4FP | 18 | 00-000122.....SCREW, 1/4-20x1-3/4" |
| 7 | 02-000038.....LOCK WASHER, 1/4 | 19 | 01-000037.....NUT, 1/4-20 HXHD |
| 8 | 00-000210.....SCREW, 1/4-20x3/4" | 20 | 34-903019.....SENDER, TEMP 140-320 |
| 9 | 11-800426.....NIP, 3/8x5" SST | 21 | 00-000132.....SCREW, 1/4-20x1-1/2" |
| 10 | 15-808095.....ASSY, CHK VLV MNFLD
(Includes Parts 11-14) | 22 | 12-800282.....CONN, 3/8Px1/2T |
| 11 | 52-501621.....MANIFOLD, CHK VLV | 23 | 10-805376.....HOSE, 1/2x14-1/2" SST |
| 12 | 14-806549.....SCREEN, CHK VLV
(Includes O-ring) | 24 | 52-501680.....FTTG, SENSOR SUPPORT |
| | | 25 | 11-800206.....PLUG, 1/8 SOCHD |
| | | 26 | 52-501683.....MANIFOLD, THERMOSTAT |
| | | 27 | 12-800040.....ELL, 1/8Px1/4T |
| | | 28 | 10-805357.....HOSE, 3/16x38" |
| | | 29 | 11-800342.....CONN, 1/2Px1/2FP |
| | | 30 | 12-800391.....UNION, CAPILLARY-THERM |
| | | 31 | 35-900182.....CONTROL, TEMP |

ACCUMULATOR DETAIL

#41-809119
ACCUMULATOR



* Use #42-809273 for units made before Jan, 1996.
** Use #42-809272 for units made before Jan, 1996.

Due to manufacturing changes, accumulators made before January, 1996 require different parts. All units are date coded and can be identified by a two letter stamping on the body of the accumulator. Identify the date of your accumulator's manufacture before ordering parts. The first letter of the stamping identifies the month and the second letter identifies the year of manufacture. For example, the stamping "DS" indicates the accumulator was made in April, 1996.

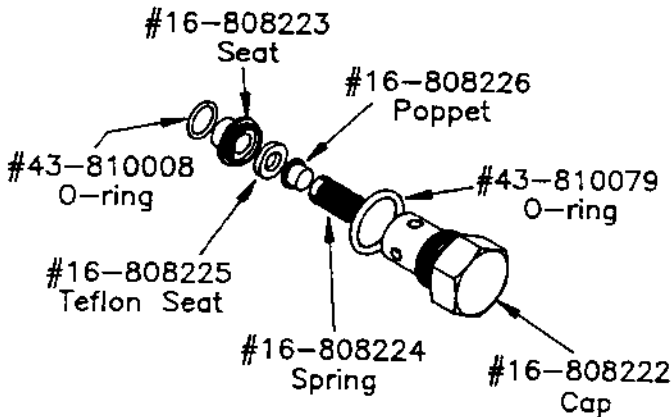
A thru M
=
Jan. thru Dec.
(T not used)

N thru T
=
1991 thru 1996
(Q not used)

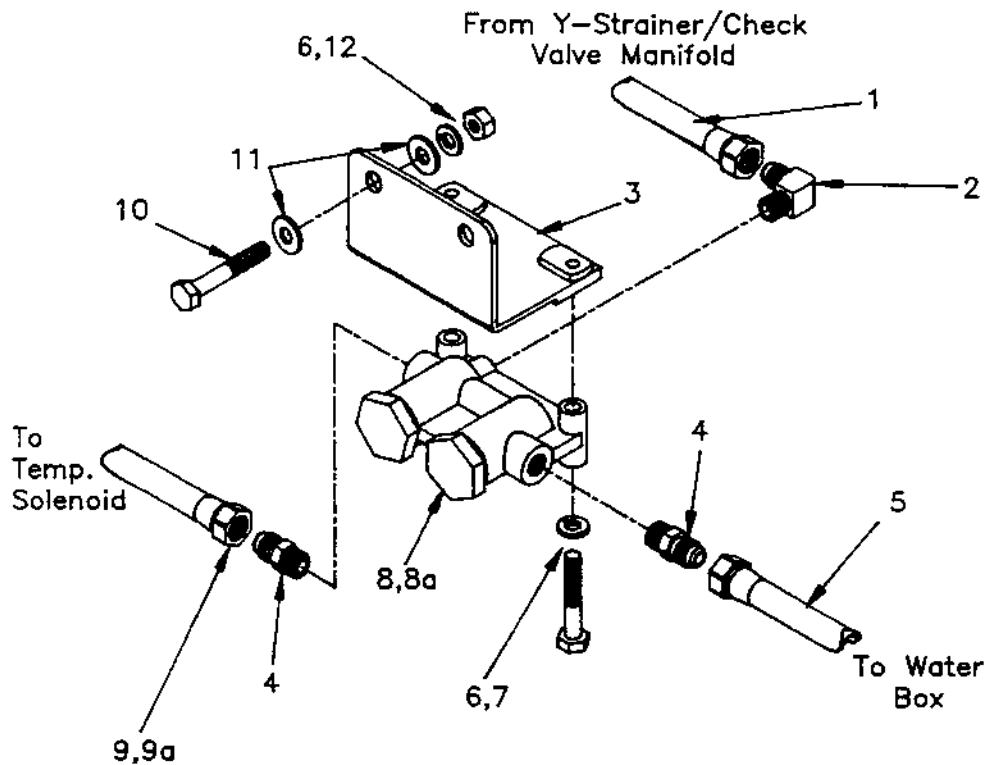
Identifying Mark will be Stamped Here

SOLUTION OUTLET CHECK VALVE DETAIL

#15-808094
VALVE, CHECK

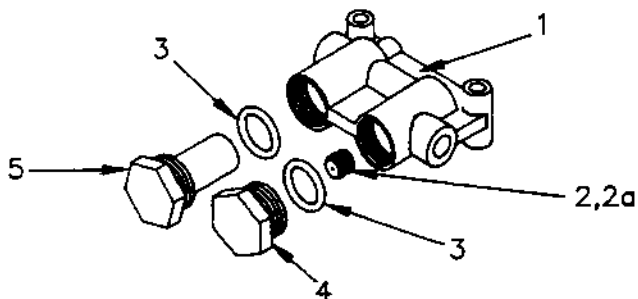


BYPASS MANIFOLD ASSEMBLY



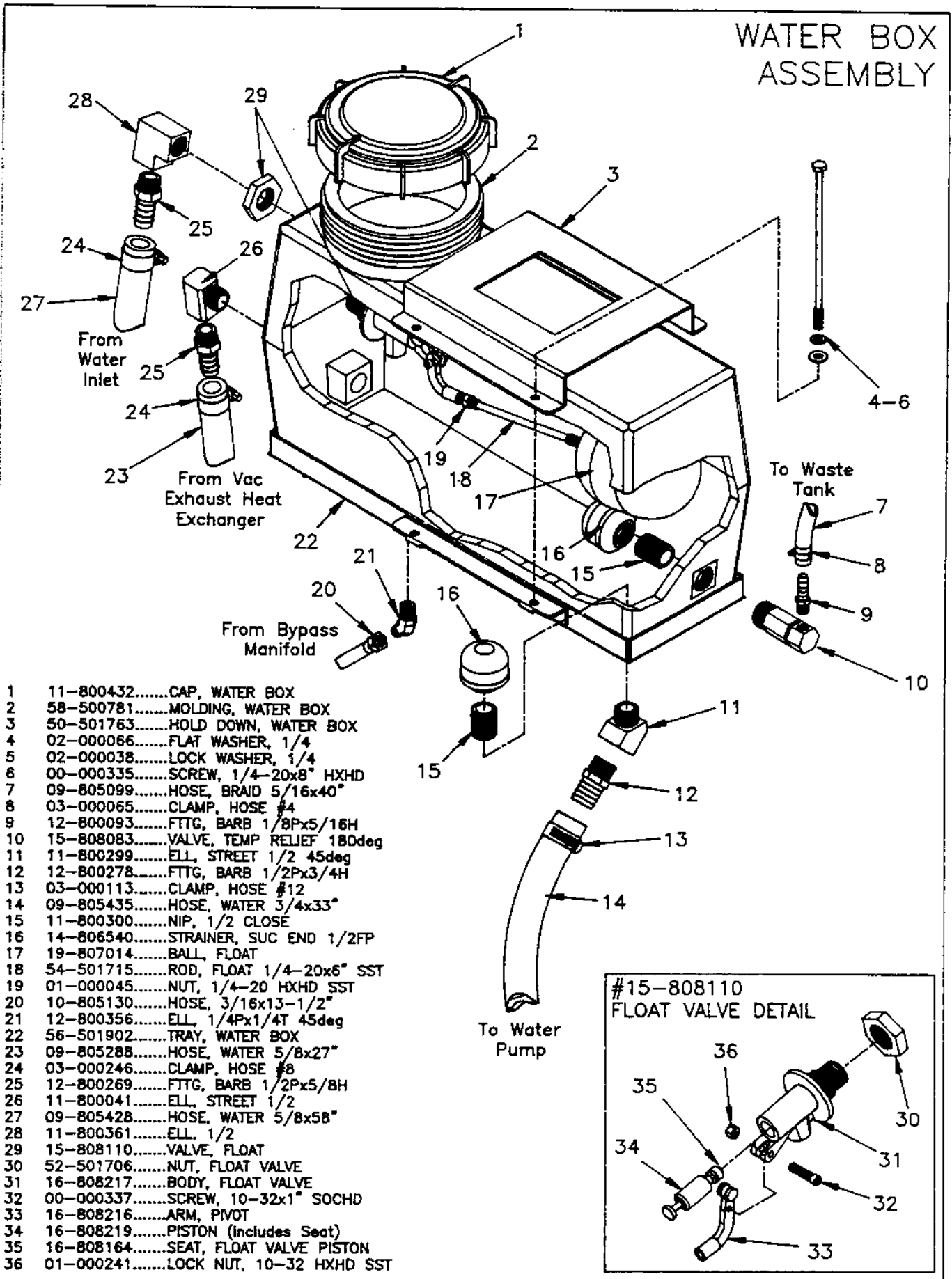
- | | | | |
|---|-----------------------------------|----|-------------------------------------|
| 1 | 10-805357.....HOSE, 3/16x38" | 8 | 15-808112.....ASSY, BYP (Catalytic) |
| 2 | 12-800040.....ELL, 1/8Px1/4T | 8a | 15-808111.....ASSY, BYP (Non-Cat.) |
| 3 | 56-501906.....BRACKET, BYPASS MTG | 9 | 10-805130.....HOS, 13-1/2" (PRF) |
| 4 | 12-800065.....CONN, 1/8Px1/4T | 9a | 10-805393.....HOS, 14-1/4" (PRF405) |
| 5 | 10-805130.....HOSE, 3/16x13-1/2" | 10 | 00-000122.....SCR, 1/4-20x1-3/4" |
| 6 | 02-000038.....LOCK WASHER, 1/4 | 11 | 02-000066.....FLAT WASHER, 1/4 |
| 7 | 00-000132.....SCR, 1/4-20x1-1/2" | 12 | 01-000037.....NUT, 1/4-20 HXHD |

#15-808112 (Catalytic Heat Exchanger)
 #15-808111 (Non-Catalytic Heat Exchanger)
 BYPASS MANIFOLD DETAIL

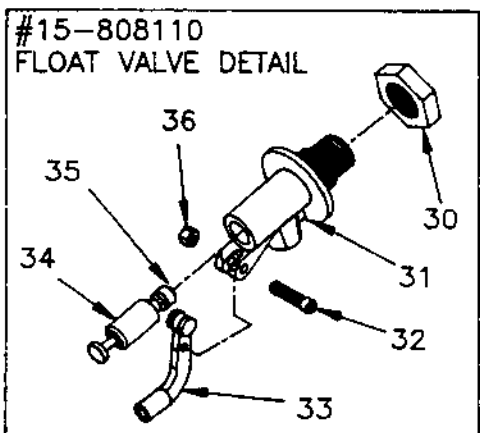


- | | |
|----|---|
| 1 | 52-501659.....MANIFOLD, BYPASS |
| 2 | 52-501701.....ORIFICE, BYPASS GRN (Catalytic) |
| 2a | 52-501665.....ORIFICE, BYPASS BLU (Non-Cat) |
| 3 | 43-810053.....O-RING, .676IDx.816OD |
| 4 | 53-501523.....CAP, CHECK VALVE |
| 5 | 14-806552.....SCREEN, BYPASS MANIFOLD |

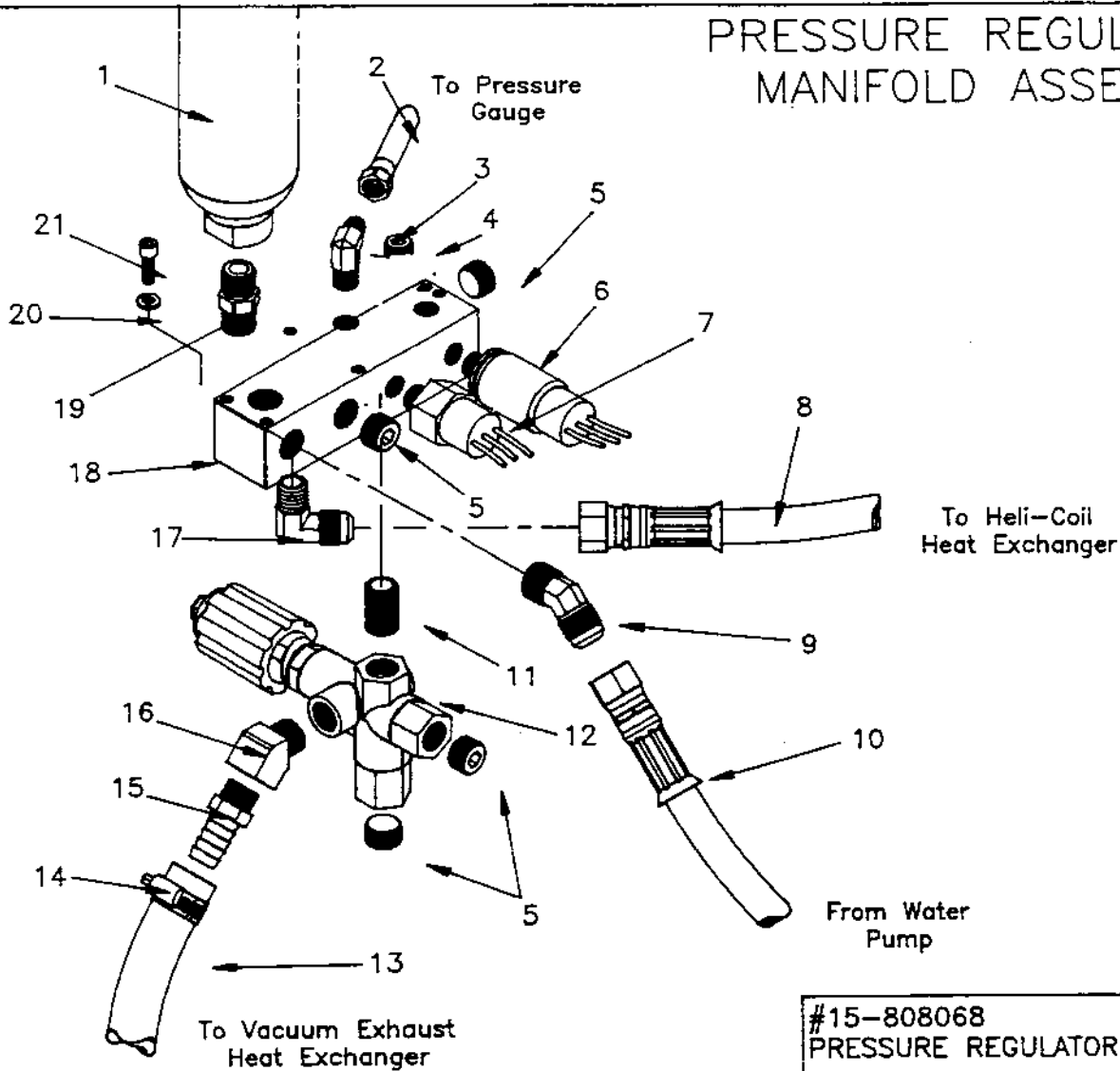
WATER BOX ASSEMBLY



- 1 11-800432.....CAP, WATER BOX
- 2 58-500781.....MOLDING, WATER BOX
- 3 50-501763.....HOLD DOWN, WATER BOX
- 4 02-000066.....FLAT WASHER, 1/4
- 5 02-000038.....LOCK WASHER, 1/4
- 6 00-000335.....SCREW, 1/4-20x8" HXHD
- 7 09-805099.....HOSE, BRAID 5/16x40"
- 8 03-000065.....CLAMP, HOSE #4
- 9 12-800093.....FTTG, BARB 1/8Px5/16H
- 10 15-808083.....VALVE, TEMP RELIEF 180deg
- 11 11-800299.....ELL, STREET 1/2 45deg
- 12 12-800278.....FTTG, BARB 1/2Px3/4H
- 13 03-000113.....CLAMP, HOSE #12
- 14 09-805435.....HOSE, WATER 3/4x33"
- 15 11-800300.....NIP, 1/2 CLOSE
- 16 14-806540.....STRAINER, SUC END 1/2FP
- 17 19-807014.....BALL, FLOAT
- 18 54-501715.....ROD, FLOAT 1/4-20x6" SST
- 19 01-000045.....NUT, 1/4-20 HXHD SST
- 20 10-805130.....HOSE, 3/16x13-1/2"
- 21 12-800356.....ELL, 1/4Px1/4T 45deg
- 22 56-501902.....TRAY, WATER BOX
- 23 09-805288.....HOSE, WATER 5/8x27"
- 24 03-000246.....CLAMP, HOSE #8
- 25 12-800269.....FTTG, BARB 1/2Px5/8H
- 26 11-800041.....ELL, STREET 1/2
- 27 09-805428.....HOSE, WATER 5/8x58"
- 28 11-800361.....ELL, 1/2
- 29 15-808110.....VALVE, FLOAT
- 30 52-501706.....NUT, FLOAT VALVE
- 31 16-808217.....BODY, FLOAT VALVE
- 32 00-000337.....SCREW, 10-32x1" SOCHD
- 33 16-808216.....ARM, PIVOT
- 34 16-808219.....PISTON (Includes Seat)
- 35 16-808164.....SEAT, FLOAT VALVE PISTON
- 36 01-000241.....LOCK NUT, 10-32 HXHD SST

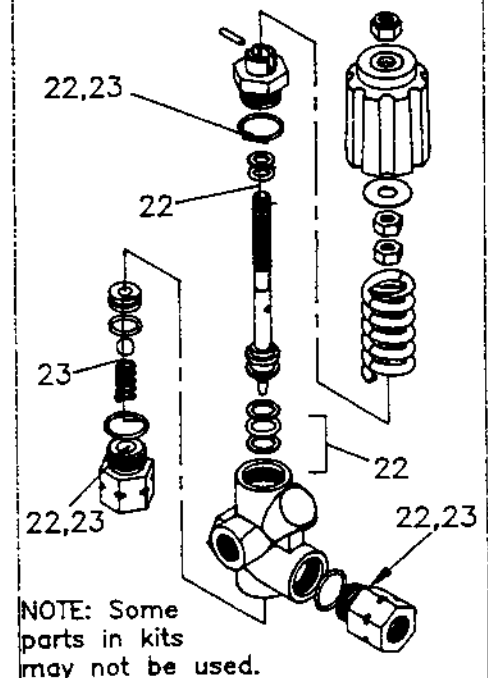


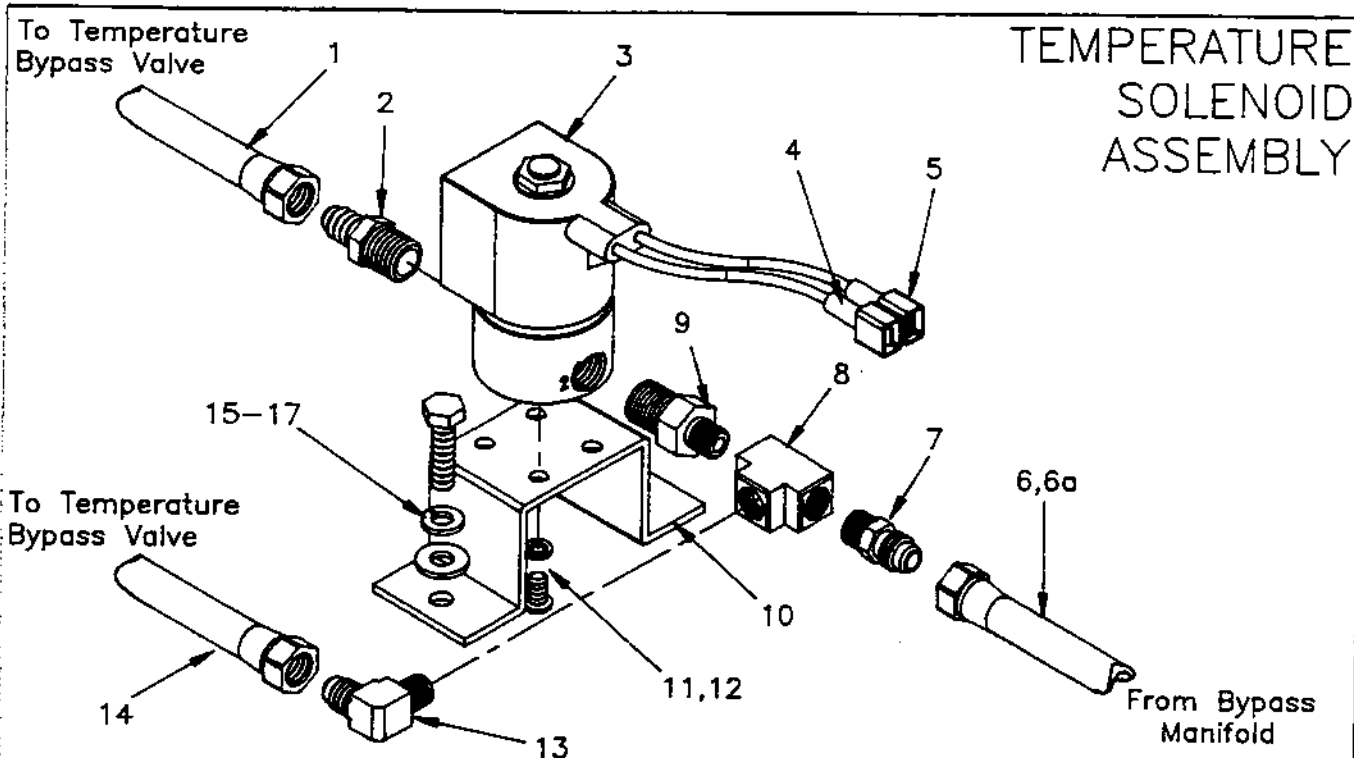
PRESSURE REGULATOR MANIFOLD ASSEMBLY



- | | |
|----|---|
| 1 | 41-809119.....ACCUMULATOR |
| 2 | 10-805362.....HOSE, 3/16x16-1/2" |
| 3 | 12-800031.....ELL, 1/4Px1/4T |
| 4 | 11-800345.....PLUG, 1/4 SOCHD |
| 5 | 11-800224.....PLUG, 3/8 SOCHD |
| 6 | 32-900186.....SWITCH, PRESSURE 1200PSI |
| 7 | 32-900184.....SWITCH, PRESSURE 50PSI |
| 8 | 10-805375.....HOSE, HP 3/8x19" w/HEAT BARRIER |
| 9 | 12-800347.....ELL, 3/8Px1/2T 45deg |
| 10 | 10-805359.....HOSE, HP 3/8x42" w/HEAT BARRIER |
| 11 | 11-800368.....NIP, 3/8 CLOSE SST |
| 12 | 15-808068.....REGULATOR, PRESSURE |
| 13 | 09-805343.....HOSE, WATER 5/8x17" |
| 14 | 03-000246.....CLAMP, HOSE #8 |
| 15 | 12-800345.....FTTG, BARB 3/8Px5/8H |
| 16 | 11-800341.....ELL, STREET 3/8 45deg |
| 17 | 12-800225.....ELL, 3/8Px1/2T |
| 18 | 52-501682.....MANIFOLD, REGULATOR |
| 19 | 11-800429.....NIP, HEX 3/8 SST |
| 20 | 02-000038.....LOCK WASHER, 1/4 |
| 21 | 00-000210.....SCREW, 1/4-20x3/4" SOCHD |
| 22 | 16-808201.....KIT, O-RING REPAIR |
| 23 | 16-808200.....KIT, VALVE REPAIR |

#15-808068 PRESSURE REGULATOR DETAIL



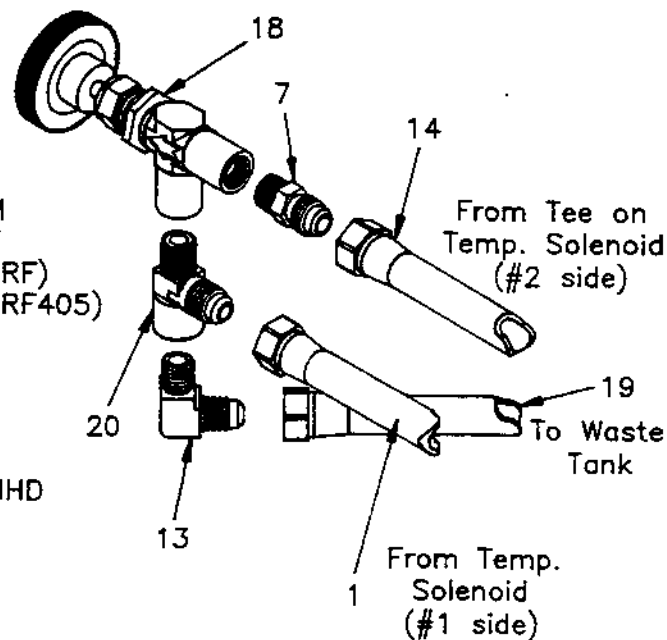


TEMPERATURE SOLENOID ASSEMBLY

Part #66-945280, Bypass Maintenance Kit is available. This kit contains the tools necessary to disassemble and reassemble the interior parts of the bypass manifold and temperature solenoid.

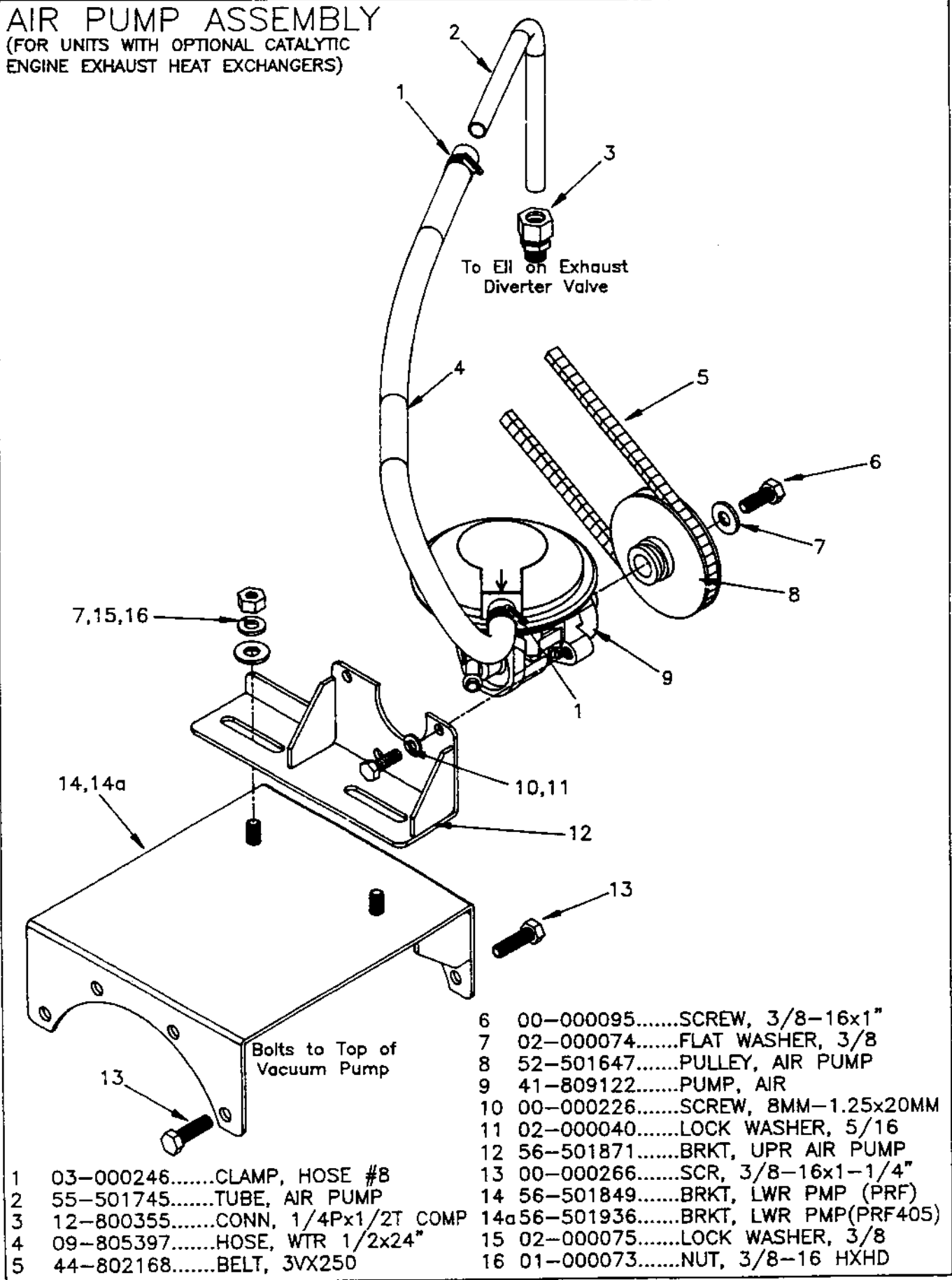
TEMPERATURE BYPASS VALVE ASSEMBLY

- 1 10-805000.....HOSE, 3/16x9"
- 2 12-800060.....CONN, 1/4Px1/4T
- 3 15-808105.....VALVE, SOLENOID
- 4 31-900028.....TERMINAL, INS DSC 1/4M
- 5 31-900027.....TERMINAL, INS DSC 1/4F
- 6 10-805130.....HOSE, 3/16x13-1/2" (PRF)
- 6a 10-805393.....HOSE, 3/16x14-1/4" (PRF405)
- 7 12-800065.....CONN, 1/8Px1/4T
- 8 11-800133.....TEE, 1/8
- 9 11-800380.....NIP, HEX 1/4x1/8 SST
- 10 50-501744.....BRACKET, SOLENOID
- 11 02-000032.....LOCK WASHER, #10
- 12 00-000065.....SCREW, 10-32x3/8" PANHD
- 13 12-800040.....ELL, 1/8Px1/4T
- 14 10-805327.....HOSE, 3/16x10"
- 15 02-000066.....FLAT WASHER, 1/4
- 16 02-000038.....LOCK WASHER, 1/4
- 17 00-000055.....SCREW, 1/4-20x3/4"
- 18 15-808107.....VALVE, METERING 1/8FP
- 19 10-805363.....HOSE, 3/16x63-1/2"
- 20 12-800088.....TEE, ADAPTER 1/8FPx1/8Px1/4T



AIR PUMP ASSEMBLY

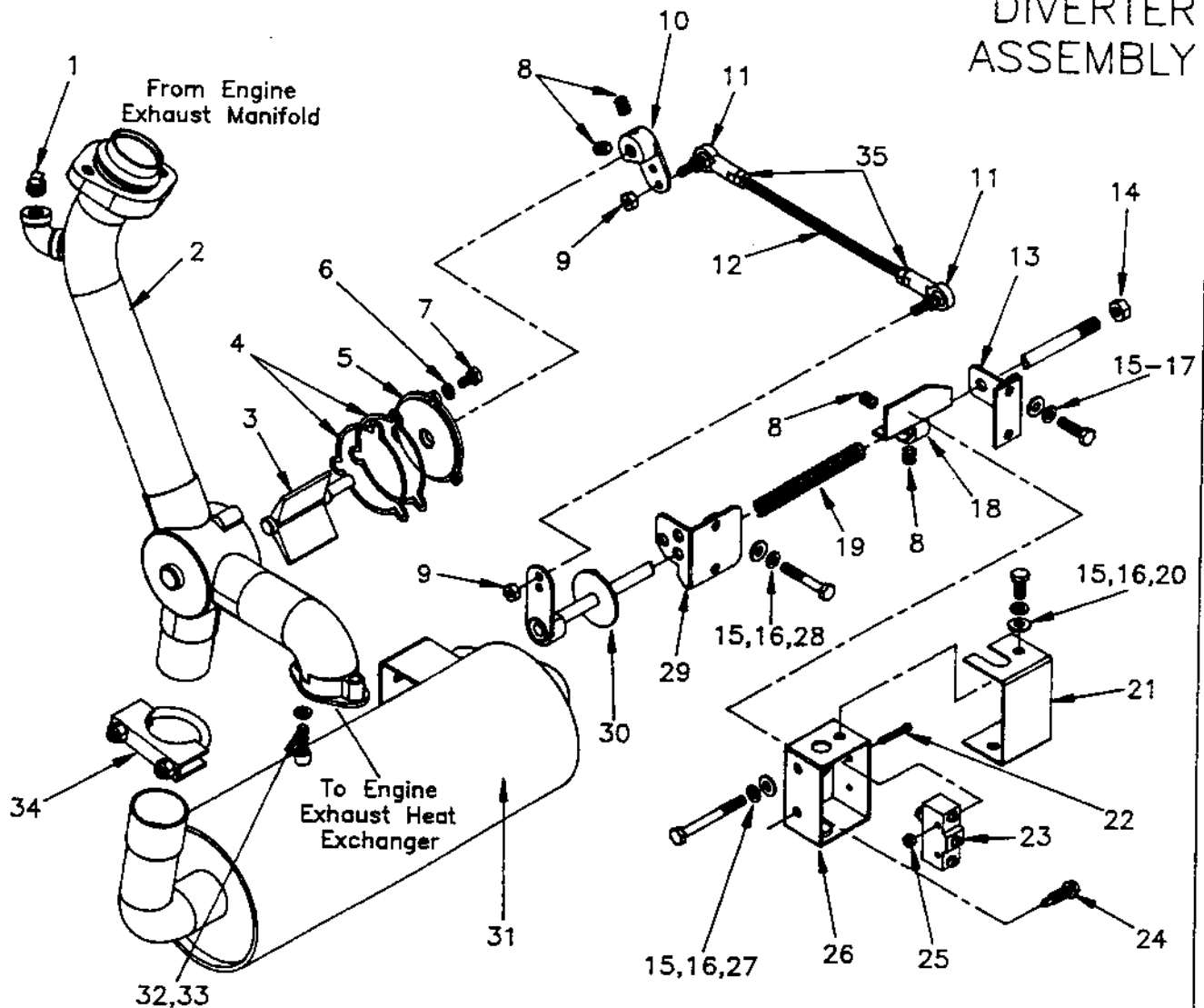
(FOR UNITS WITH OPTIONAL CATALYTIC ENGINE EXHAUST HEAT EXCHANGERS)



- 1 03-000246.....CLAMP, HOSE #B
- 2 55-501745.....TUBE, AIR PUMP
- 3 12-800355.....CONN, 1/4Px1/2T COMP
- 4 09-805397.....HOSE, WTR 1/2x24"
- 5 44-802168.....BELT, 3VX250

- 6 00-000095.....SCREW, 3/8-16x1"
- 7 02-000074.....FLAT WASHER, 3/8
- 8 52-501647.....PULLEY, AIR PUMP
- 9 41-809122.....PUMP, AIR
- 10 00-000226.....SCREW, 8MM-1.25x20MM
- 11 02-000040.....LOCK WASHER, 5/16
- 12 56-501871.....BRKT, UPR AIR PUMP
- 13 00-000266.....SCR, 3/8-16x1-1/4"
- 14 56-501849.....BRKT, LWR PMP (PRF)
- 14a 56-501936.....BRKT, LWR PMP (PRF405)
- 15 02-000075.....LOCK WASHER, 3/8
- 16 01-000073.....NUT, 3/8-16 HXHD

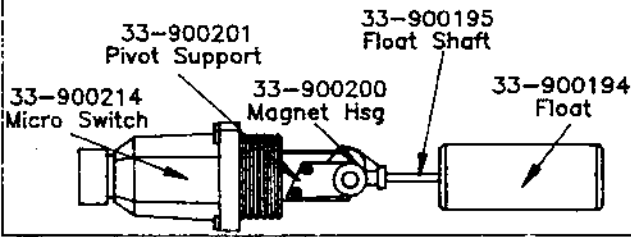
EXHAUST DIVERTER ASSEMBLY



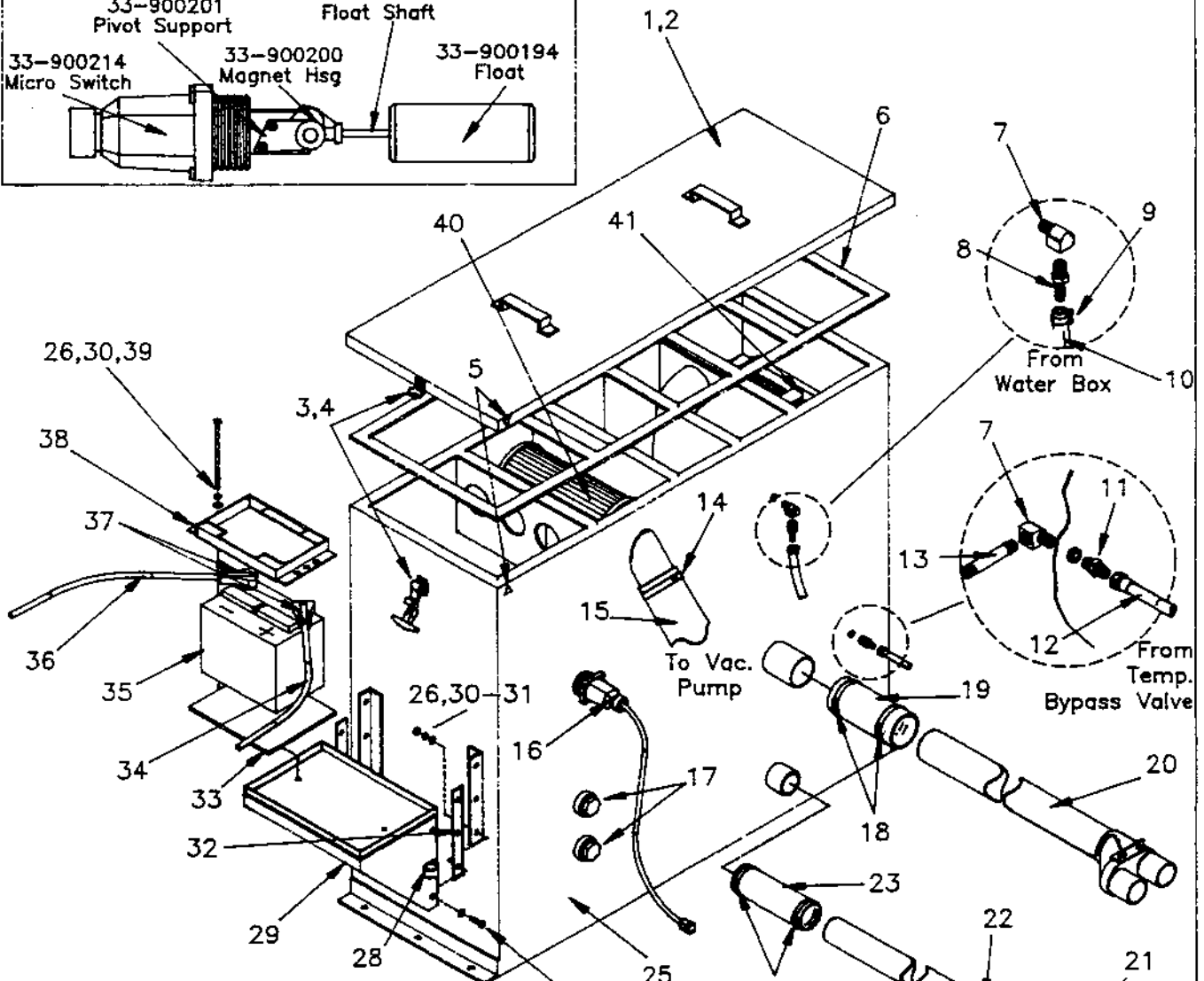
- 1 11-800169.....PLUG, 1/4 (Non-Cat. Units Only. See Air Pmp Assy for Catalytic Units)
- 2 56-501941.....VALVE, EXH DIVERTER (Includes Parts 3-7)
- 3 52-501641.....DIVERTER, EXHAUST
- 4 43-807087.....GSKT, DIVERTER CAP
- 5 52-501642.....CAP, EXH DIVERTER
- 6 02-000044.....LOCK WASHER, 1/4 SST
- 7 00-000005.....SCR, 1/4-20x1/2" SST
- 8 00-000442.....SCR, SET 5/16-24x3/8
- 9 01-000230.....LOCK NUT, 1/4-28
- 10 56-501768.....ARM, REAR DIVERTER
- 11 04-000284.....END, ROD
- 12 52-501687.....ROD, CONN DIVERTR VLV
- 13 56-501772.....BRKT, FR DIVERTER RD
- 14 01-000272.....NUT, JAM 3/8-16
- 15 02-000066.....FLAT WASHER, 1/4

- 16 02-000038.....LOCK WASHER, 1/4
- 17 00-000055.....SCREW, 1/4-20x3/4"
- 18 56-501761.....LEVER, ACTIVATING DIRVTR
- 19 04-000286.....SPRING, DIVERTER VALVE
- 20 00-000070.....SCREW, 1/4-20x1/2"
- 21 50-501689.....COVER, SWITCH MOUNT
- 22 00-000014.....SCREW, 6-32x1" PANHD
- 23 35-900180.....SWITCH, MICRO
- 24 00-000255.....SCREW, SLFDRIVE #14x1"
- 25 01-000059.....LOCK NUT, 6-32
- 26 56-501770.....BRKT, SWITCH MOUNTING
- 27 00-000142.....SCREW, 1/4-20x2-1/2"
- 28 00-000122.....SCREW, 1/4-20x1-3/4"
- 29 56-501882.....GUIDE, DIVERTER ROD
- 30 56-502071.....ROD, ADJUSTING DIRVTR
- 31 57-520072.....MUFFLER, EXHAUST
- 32 02-000274.....LOCK WSHR, 5/16 (Allen)
- 33 00-000315.....SCR, 5/16-18x7/8" SOC
- 34 03-000081.....CLAMP, MUFFLER 1-1/2"
- 35 01-000290.....NUT, JAM 1/4-28 HXHD

#61-950621
FLOAT SWITCH REPLACEMENT PARTS



PERFORMER WASTE
TANK ASSEMBLY

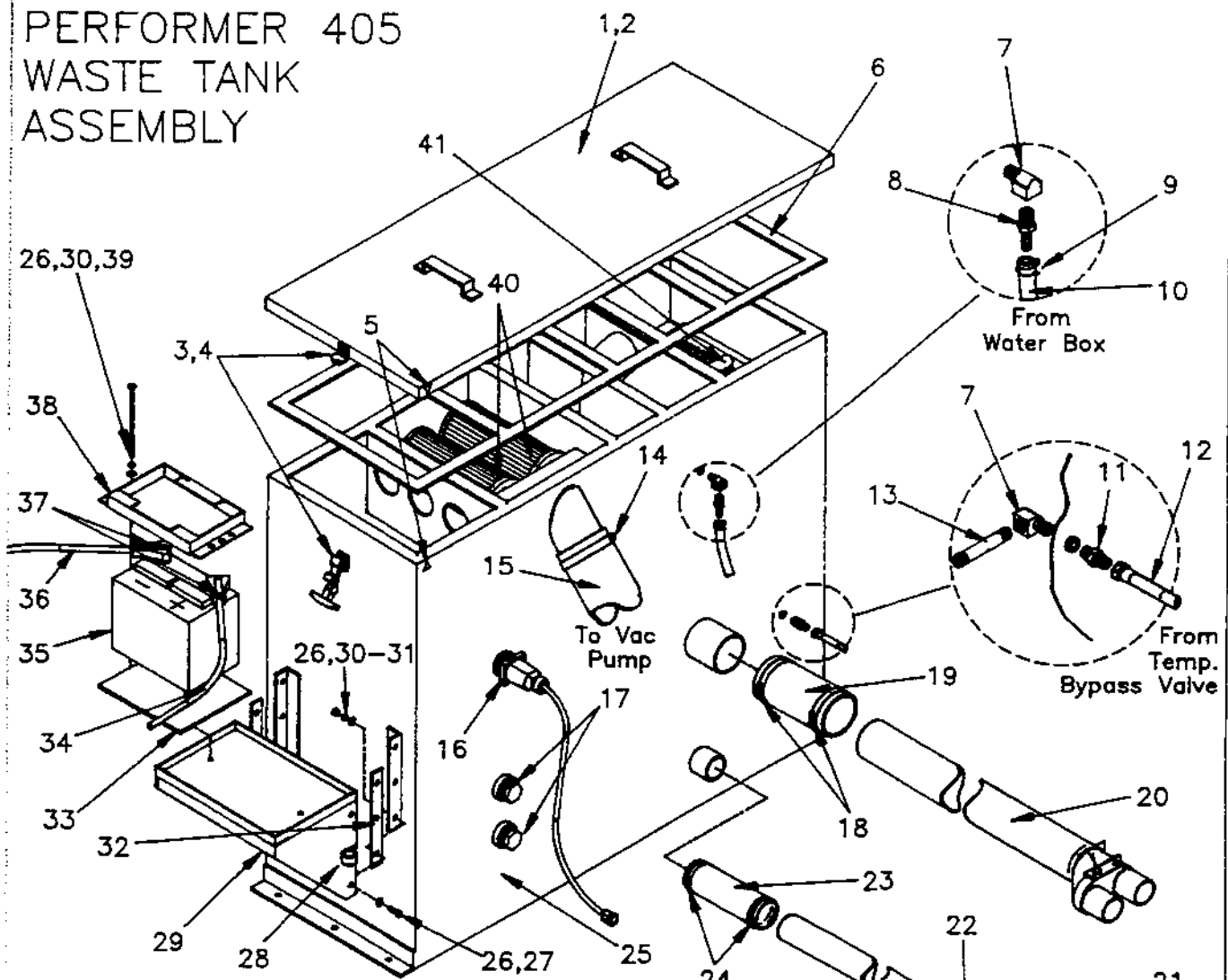


- 1 61-951175.....ASSY, LID WASTE TANK PRF
(Includes Parts 2-6)
- 2 56-501788PC...LID, WASTE TANK BLUE
- 3 00-000171.....RIVET, 3/16x5/16
- 4 46-802510.....LATCH, DRAW 2-7/8
- 5 48-941297.....DECAL, ARROW
- 6 43-807094.....GASKET, WASTE TANK LID PRF
- 7 11-800045.....ELL, STREET 1/4
- 8 12-800092.....FTTG, BARB 1/4Px5/16H
- 9 03-000065.....CLAMP, HOSE #4
- 10 09-805099.....HOSE, BRAID 5/16x40"
- 11 12-800060.....CONN, 1/4Px1/4T
- 12 10-805363.....HOSE, 3/16x63-1/2"
- 13 11-800404.....NIP, 1/4x5" SST
- 14 03-000112.....CLAMP, HOSE #48
- 15 09-805341.....HOSE, INT VAC 2-7/8x25"
- 16 61-950621.....ASSY, LEVEL SENSOR SWITCH
- 17 11-800402.....PLUG, 1-1/4 HXHD PVC
- 18 03-000000.....CLAMP, HOSE #40
- 19 09-805143.....HOSE, INT VAC 2-1/2x6-1/2"
- 20 56-502220PC...TUBE, VAC INLET PRF BLUE
- 21 15-808080.....VALVE, BALL 1-1/2FP
- 22 56-501738.....TUBE, WASTE DUMP
- 23 09-805339.....HOSE, INT VAC 2x7"
- 24 03-000054.....CLAMP, HOSE #32

- 25 56-501947PC...TANK, WASTE PRF BLUE
- 26 02-000066.....FLAT WASHER, 1/4
- 27 00-000078.....SCREW, 1/4-20x1" GR8
- 28 03-000242.....CLAMP, CABLE
- 29 56-501779.....TRAY, BATTERY
- 30 02-000038.....LOCK WASHER, 1/4
- 31 01-000037.....NUT, 1/4-20 HXHD
- 32 50-501697.....SPACER, BATTERY SHELF MTG
- 33 47-700007.....SHIELD, BATTERY MOUNT
- 34 64-950499.....CABLE, BATTERY 61" RED
- 35 36-900056.....BATTERY, 300 CCA
- 36 64-950498.....CABLE, BATTERY 71" BLACK
- 37 31-900179.....COVER, BATTERY TERMINALS
- 38 56-500188.....COVER, BATTERY
- 39 00-000167.....SCREW, 1/4-20x6"
- 40 14-806518.....STRAINER, WASTE TANK 2-1/2"
- 41 56-501793.....BASKET, STRAINER

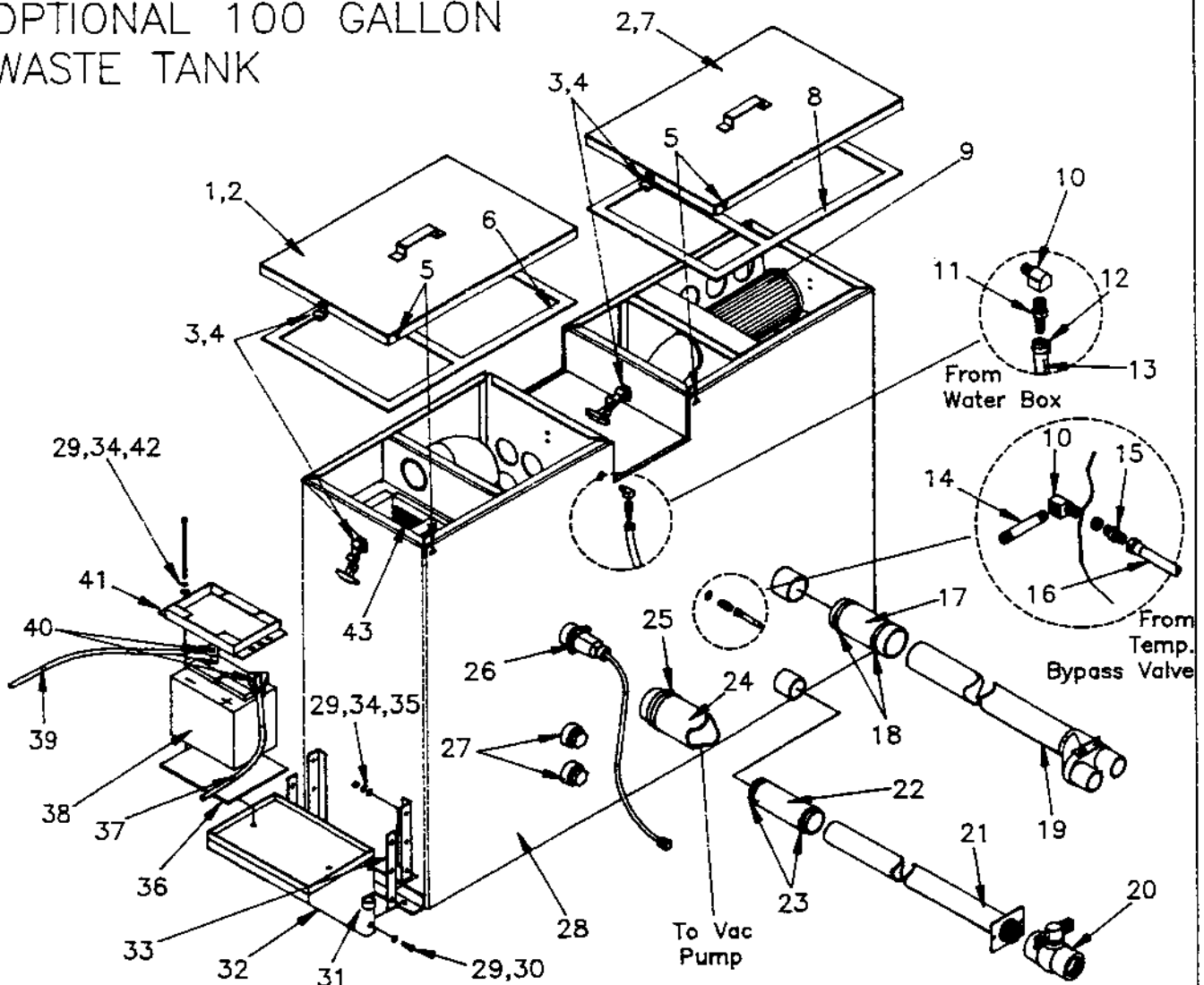
NOT SHOWN
05-008002.....ADHESIVE, GASKET (10.3oz tube)

PERFORMER 405 WASTE TANK ASSEMBLY



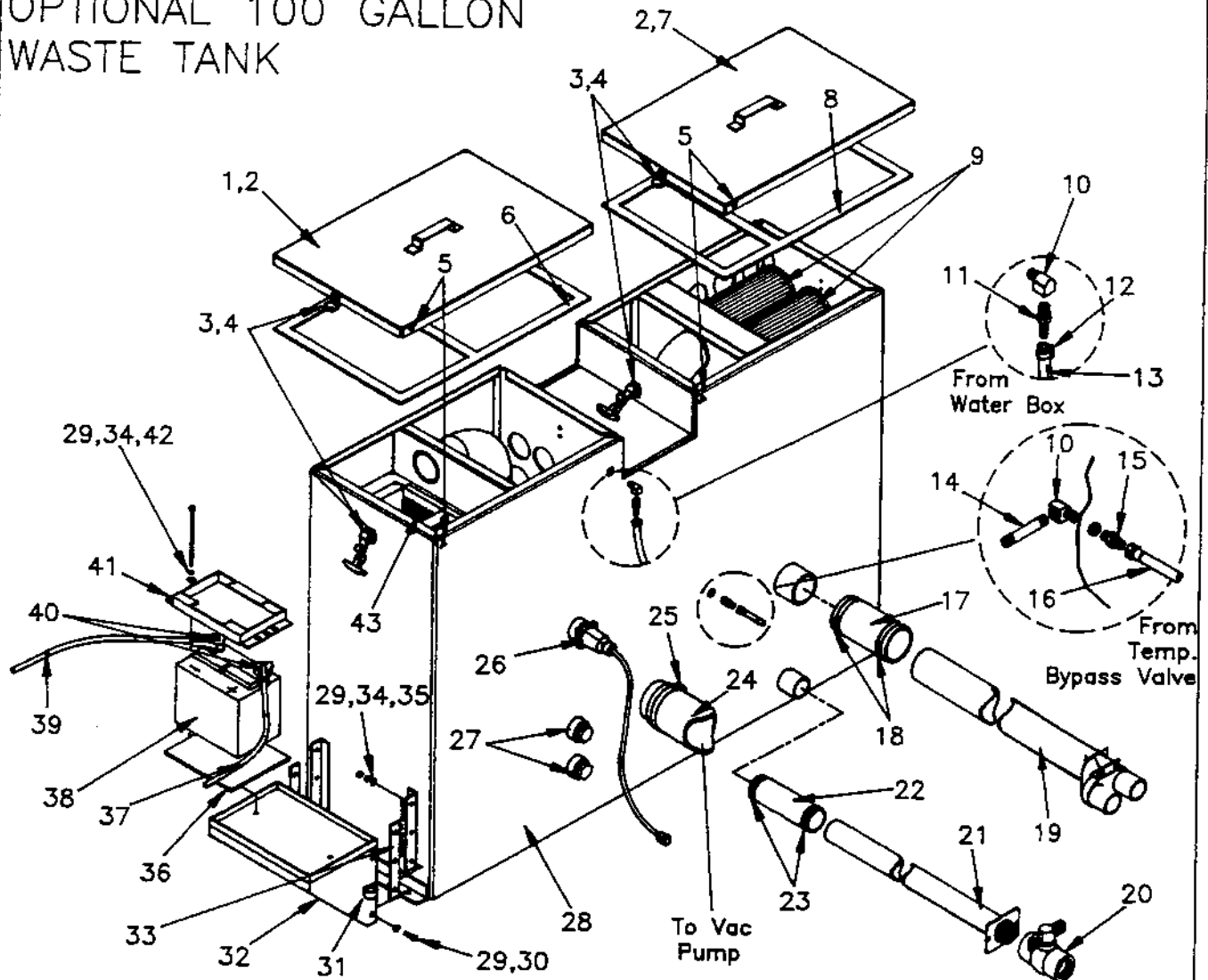
- | | | | | |
|----|-----------------|---|----------------------------|--|
| 1 | 61-951181..... | ASSY, LID WASTE TANK PRF405
(Includes Parts 2-6) | | |
| 2 | 56-501788PC.... | LID, WASTE TANK BLUE | | |
| 3 | 00-000171..... | RIVET, 3/16x5/16 | | |
| 4 | 46-802510..... | LATCH, DRAW 2-7/8 | | |
| 5 | 48-941297..... | DECAL, ARROW | | |
| 6 | 43-807107..... | GSKT, WST TNK PRF405 | | |
| 7 | 11-800045..... | ELL, STREET 1/4 | | |
| 8 | 12-800092..... | FTTG, BARB 1/4Px5/16H | | |
| 9 | 03-000065..... | CLAMP, HOSE #4 | | |
| 10 | 09-805099..... | HOSE, BRAID 5/16x40" | | |
| 11 | 12-800060..... | CONN, 1/4Px1/4T | | |
| 12 | 10-805363..... | HOSE, 3/16x63-1/2" | | |
| 13 | 11-800404..... | NIP, 1/4x5" SST | | |
| 14 | 03-000250..... | CLAMP, HOSE #60 | | |
| 15 | 09-805426..... | HOSE, INT VAC 3-1/2x25" | | |
| 16 | 61-950621..... | ASSY, LEVEL SENSOR SW | | |
| 17 | 11-800402..... | PLUG, 1-1/4 HXHD PVC | | |
| 18 | 03-000112..... | CLAMP, HOSE #48 | | |
| 19 | 09-805434..... | HOSE, INT VAC 3x6-1/2" | | |
| 20 | 56-502221PC.... | TUBE, VAC IN PRF405 BLU | | |
| 21 | 15-808080..... | VALVE, BALL 1-1/2FP | | |
| 22 | 56-501738..... | TUBE, WASTE DUMP | | |
| 23 | 09-805339..... | HOSE, INT VAC 2x7" | | |
| 24 | 03-000054..... | CLAMP, HOSE #32 | | |
| 25 | 56-501944PC.... | TANK, WASTE PRF405 BLUE | | |
| 26 | 02-000066..... | FLAT WASHER, 1/4 | | |
| 27 | 00-000078..... | SCREW, 1/4-20x1" GR8 | | |
| 28 | 03-000242..... | CLAMP, CABLE | | |
| 29 | 56-501779..... | TRAY, BATTERY | | |
| 30 | 02-000038..... | LOCK WASHER, 1/4 | | |
| 31 | 01-000037..... | NUT, 1/4-20 HXHD | | |
| 32 | 50-501697..... | SPACER, BATTERY SHELF MTG | | |
| 33 | 47-700007..... | SHIELD, BATTERY MOUNT | | |
| 34 | 64-950499..... | CABLE, BATTERY 61" RED | | |
| 35 | 36-900056..... | BATTERY, 300 CCA | | |
| 36 | 64-950498..... | CABLE, BATTERY 71" BLACK | | |
| 37 | 31-900179..... | COVER, BATTERY TERMINALS | | |
| 38 | 56-500188..... | COVER, BATTERY | | |
| 39 | 00-000167..... | SCREW, 1/4-20x6" | | |
| 40 | 14-806509..... | STRAINER, WASTE TANK 2" | | |
| 41 | 56-501793..... | BASKET, STRAINER | | |
| | | NOT SHOWN | | |
| | | 05-008002..... | ADHESIVE, GSKT (10.3oz tb) | |

PERFORMER
OPTIONAL 100 GALLON
WASTE TANK



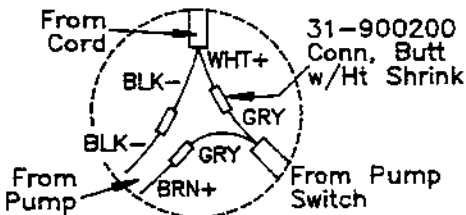
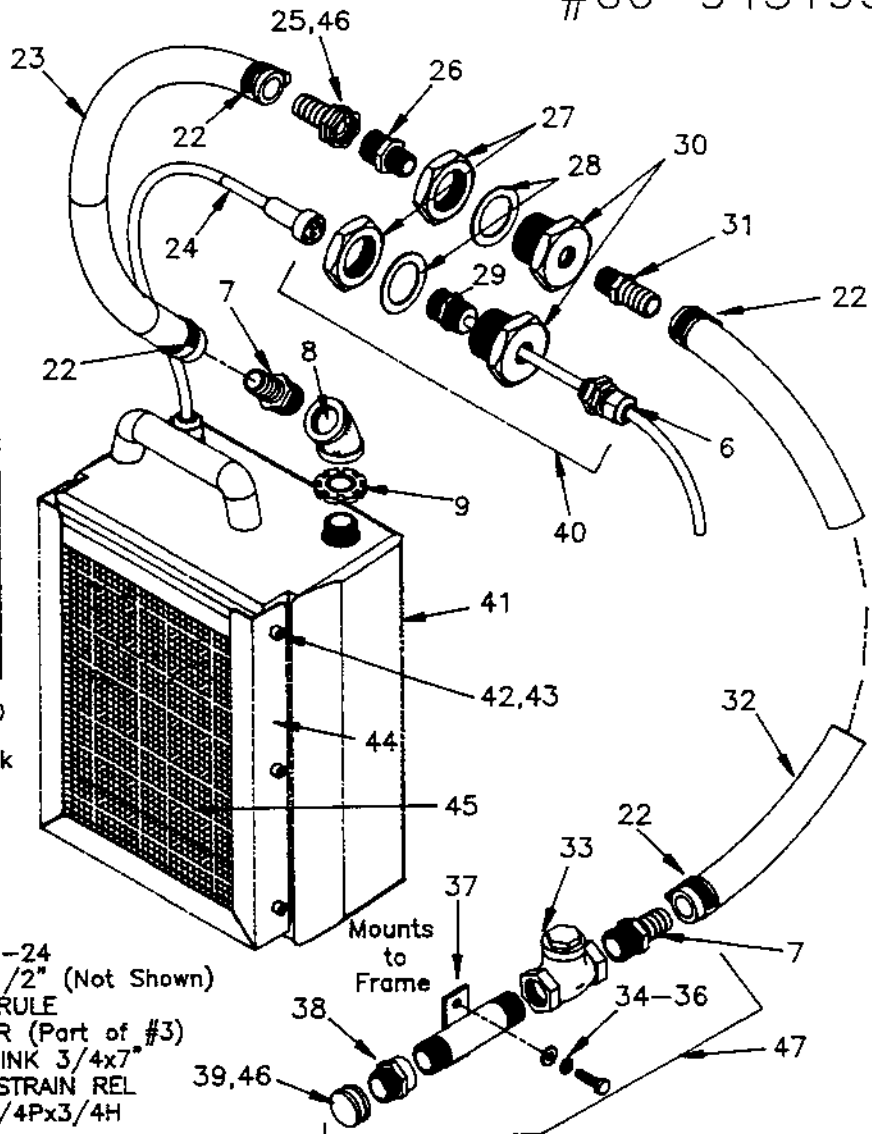
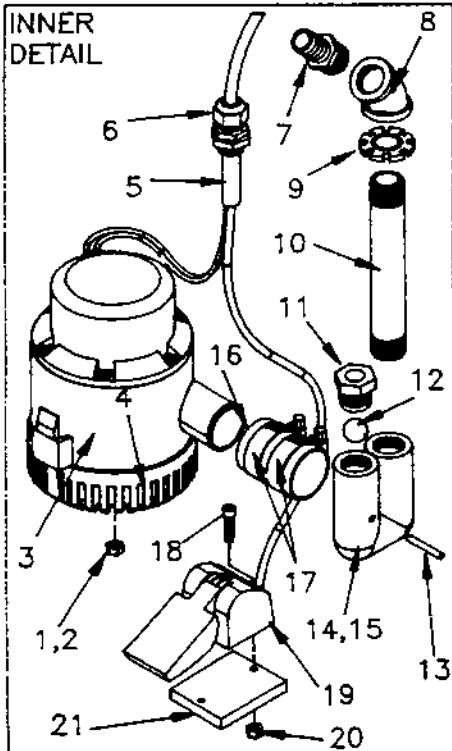
- | | | | |
|----|---|----|--|
| 1 | 61-951164.....ASSY, WST TNK LID BASKET SD
(Includes Parts 2-6) | 23 | 03-000054.....CLAMP, HOSE #32 |
| 2 | 56-502264PC...LID, WST TNK 100G DUAL LID | 24 | 09-805341.....HOSE, INT VAC 2-7/8x25" |
| 3 | 00-000171.....RVMT, 3/16x5/16" | 25 | 03-000112.....CLAMP, HOSE #48 |
| 4 | 46-802510.....LATCH, DRAW 2-7/8 | 26 | 61-950621.....ASSY, LEVEL SENSOR SWITCH |
| 5 | 48-941297.....DECAL, ARROW | 27 | 11-800402.....PLUG, 1-1/4 HXHD PVC |
| 6 | 43-807547.....GSKT, WST TNK LID BASKET SD | 28 | 56-502263PC...TNK, WST PRF 100GAL |
| 7 | 61-951163.....ASSY, WST TNK LID FILTER SD
(Includes Parts 2-5 and 8) | 29 | 02-000066.....FLAT WASHER, 1/4 |
| 8 | 43-807546.....GSKT, WST TNK LID FILTER SD | 30 | 00-000078.....SCREW, 1/4-20x1" GR8 |
| 9 | 14-806518.....STRAINER, WASTE TANK 2-1/2" | 31 | 03-000242.....CLAMP, CABLE 3/4ID |
| 10 | 11-800045.....ELL, STREET 1/4 | 32 | 56-501779.....TRAY, BATTERY |
| 11 | 12-800092.....FITTING, BARB 1/4Px5/16H | 33 | 50-501697.....SPACER, BATTERY SHELF MTG |
| 12 | 03-000065.....CLAMP, HOSE #4 | 34 | 02-000038.....LOCK WASHER, 1/4 |
| 13 | 09-805099.....HOSE, BRAID 5/16x40" | 35 | 01-000037.....NUT, 1/4-20 HXHD |
| 14 | 11-800404.....NIP, 1/4x5" SST | 36 | 47-700007.....SHIELD, BATTERY MOUNT HEAT |
| 15 | 12-800060.....CONN, 1/4Px1/4T | 37 | 64-950499.....CABLE, BATTERY 61" RED |
| 16 | 10-805363.....HOSE, 3/16x63-1/2" | 38 | 36-900056.....BATTERY, 300 CCA |
| 17 | 09-805143.....HOSE, INT VAC 2-1/2x6-1/2" | 39 | 64-950498.....CABLE, BATTERY 71" BLACK |
| 18 | 03-000000.....CLAMP, HOSE #40 | 40 | 31-900179.....COVER, BATTERY TERMINALS |
| 19 | 56-502220PC...TUBE, VAC INLET PRF BLUE | 41 | 56-500188.....COVER, BATTERY |
| 20 | 15-808080.....VALVE, BALL 1-1/2FP | 42 | 00-000167.....SCREW, 1/4-20x6" |
| 21 | 56-501738.....TUBE, WASTE DUMP | 43 | 56-501793.....BASKET, STRAINER |
| 22 | 09-805339.....HOSE, INT VAC 2x7" | | |
- NOT SHOWN
05-008002.....ADHESIVE, GASKET (10.3oz tube)

PERFORMER 405
OPTIONAL 100 GALLON
WASTE TANK



- | | | | |
|----|---|--|--|
| 1 | 61-951164.....ASSY, WST TNK LID BASKET SD
(Includes Parts 2-6) | 23 | 03-000054.....CLAMP, HOSE #32 |
| 2 | 56-502264PC.....LID, WST TNK 100G DUAL LID | 24 | 09-805426.....HOSE, INT VAC 3-1/2x25" |
| 3 | 00-000171.....RIVET, 3/16x5/16" | 25 | 03-000250.....CLAMP, HOSE #60 |
| 4 | 46-802510.....LATCH, DRAW 2-7/8 | 26 | 61-950621.....ASSY, LEVEL SENSOR SWITCH |
| 5 | 48-941297.....DECAL, ARROW | 27 | 11-800402.....PLUG, 1-1/4 HXHD PVC |
| 6 | 43-807547.....GSKT, WST TNK LID BASKET SD | 28 | 56-502262PC..TNK, WST PRF405 100GAL |
| 7 | 61-951163.....ASSY, WST TNK LID FILTER SD
(Includes Parts 2-5 and 8) | 29 | 02-000066.....FLAT WASHER, 1/4 |
| 8 | 43-807546.....GSKT, WST TNK LID FILTER SD | 30 | 00-000078.....SCREW, 1/4-20x1" GR8 |
| 9 | 14-806509.....STRAINER, WASTE TANK 2" | 31 | 03-000242.....CLAMP, CABLE 3/4ID |
| 10 | 11-800045.....ELL, STREET 1/4 | 32 | 56-501779.....TRAY, BATTERY |
| 11 | 12-800092.....FITTING, BARB 1/4Px5/16H | 33 | 50-501697.....SPACER, BATTERY SHELF MTG |
| 12 | 03-000065.....CLAMP, HOSE #4 | 34 | 02-000038.....LOCK WASHER, 1/4 |
| 13 | 09-805099.....HOSE, BRAID 5/16x40" | 35 | 01-000037.....NUT, 1/4-20 HXHD |
| 14 | 11-800404.....NIP, 1/4x5" SST | 36 | 47-700007.....SHIELD, BATTERY MOUNT HEAT |
| 15 | 12-800060.....CONN, 1/4Px1/4T | 37 | 64-950499.....CABLE, BATTERY 61" RED |
| 16 | 10-805363.....HOSE, 3/16x63-1/2" | 38 | 36-900056.....BATTERY, 300 CCA |
| 17 | 09-805434.....HOSE, INT VAC 3x6-1/2" | 39 | 64-950498.....CABLE, BATTERY 71" BLACK |
| 18 | 03-000112.....CLAMP, HOSE #48 | 40 | 31-900179.....COVER, BATTERY TERMINALS |
| 19 | 56-502221PC..TUBE, VAC INLET PRF405 BLUE | 41 | 56-500188.....COVER, BATTERY |
| 20 | 15-808080.....VALVE, BALL 1-1/2FP | 42 | 00-000167.....SCREW, 1/4-20x6" |
| 21 | 56-501738.....TUBE, WASTE DUMP | 43 | 56-501793.....BASKET, STRAINER |
| 22 | 09-805339.....HOSE, INT VAC 2x7" | | |
| | | NOT SHOWN | |
| | | 05-008002.....ADHESIVE, GASKET (10.3oz tube) | |

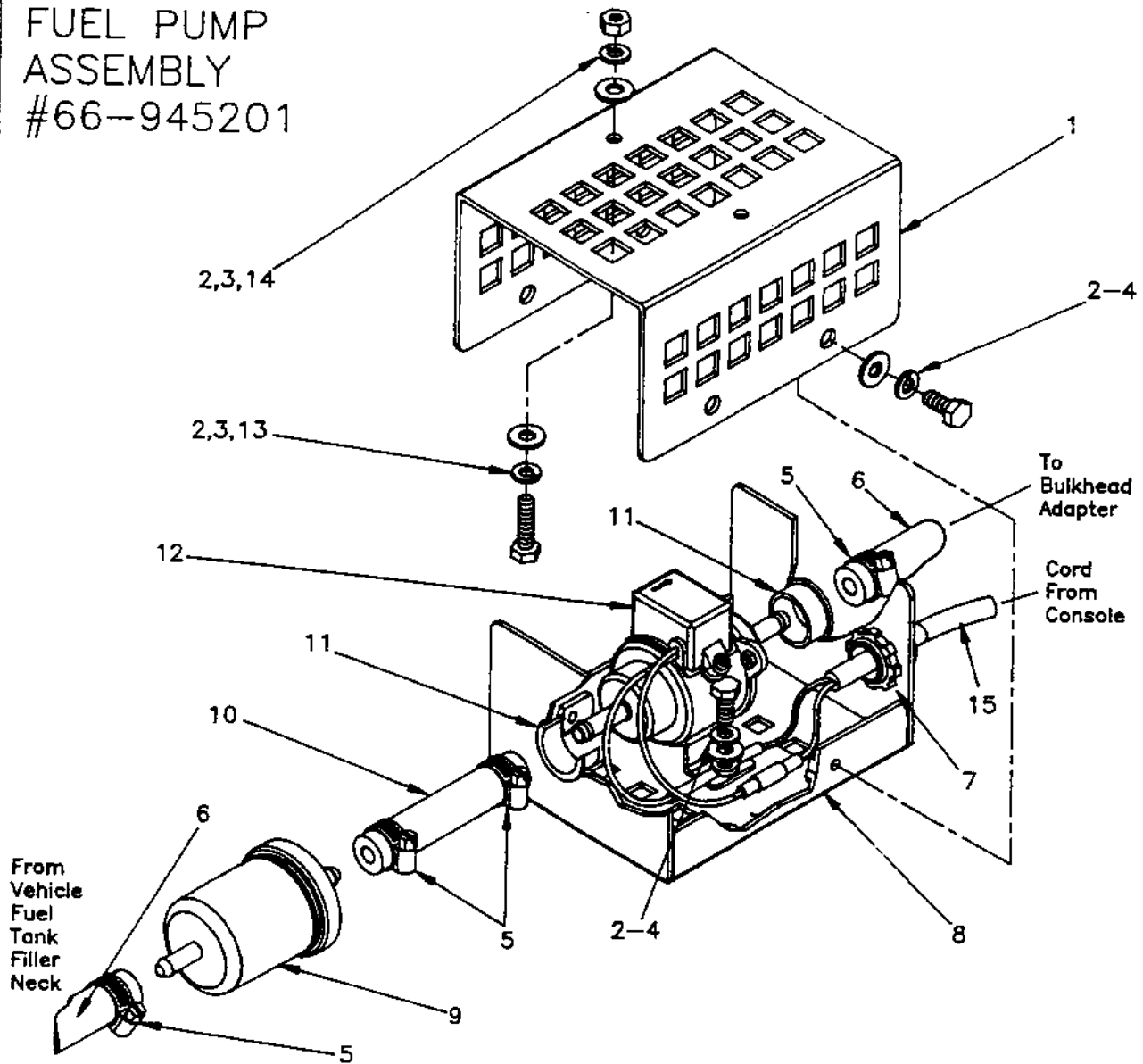
WASTE PUMP #66-945193



- 1 01-000188..... LOCK NUT, 10-24
- 2 00-000071..... SCR, 10-24x1/2" (Not Shown)
- 3 41-809128..... PUMP, BILGE RULE
- 4 42-809267..... BASKET, STRNR (Part of #3)
- 5 09-805563..... TUBE, HT SHRINK 3/4x7"
- 6 31-900194..... CONN, CORD STRAIN REL
- 7 12-800095..... FITG, BARB 3/4Px3/4H
- 8 11-800434..... ELL, 3/4 45deg
- 9 01-000119..... LOCK NUT, 3/4NPT
- 10 11-800419..... NIP, 3/4x6-5/8" PVC
- 11 52-501666..... SEAT, 1.00-20x1/2P
- 12 04-000291..... BALL, NYLON 3/4dia
- 13 04-000290..... PIN, 3/16x1-3/8"
- 14 52-501662..... BODY, WASTE PUMP VLV
- 15 15-808101..... ASSY, WASTE PUMP VLV
(Includes Parts 11-14)
- 16 08-805262..... CUFF, WASTE PUMP
- 17 03-000110..... CLAMP, HOSE #24
- 18 00-000317..... SCREW, 10-32x1-1/4"
- 19 32-900183..... SWITCH, PUMP RULE
- 20 01-000241..... LOCK NUT, 10-32
- 21 50-501730..... SPACER, WASTE PUMP
- 22 03-000113..... CLAMP, HOSE #12
- 23 09-805436..... HOSE, WATER 3/4x21"
- 24 31-900197..... CONN, WASTE PUMP F
- 25 12-800370..... CONN, 3/4SWIVx3/4BARB
- 26 12-800051..... CONN, 1/2Px3/4H
- 27 52-501651..... NUT, HOS&CD FITTING
- 28 43-807092..... SEAL, WASTE PUMP
- 29 31-900198..... CONN, WASTE PUMP M

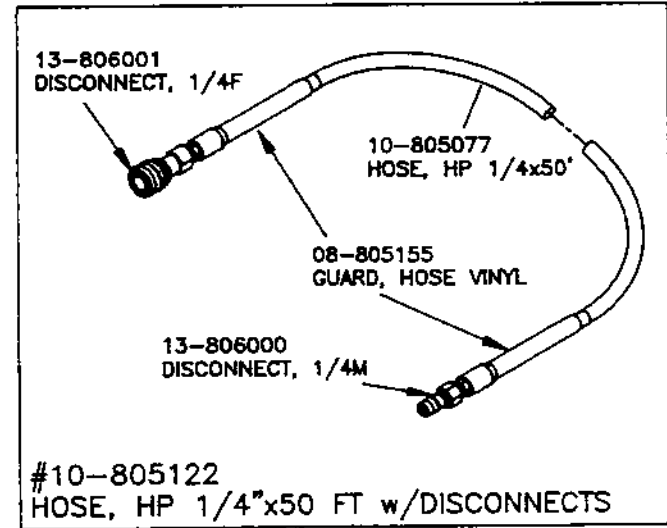
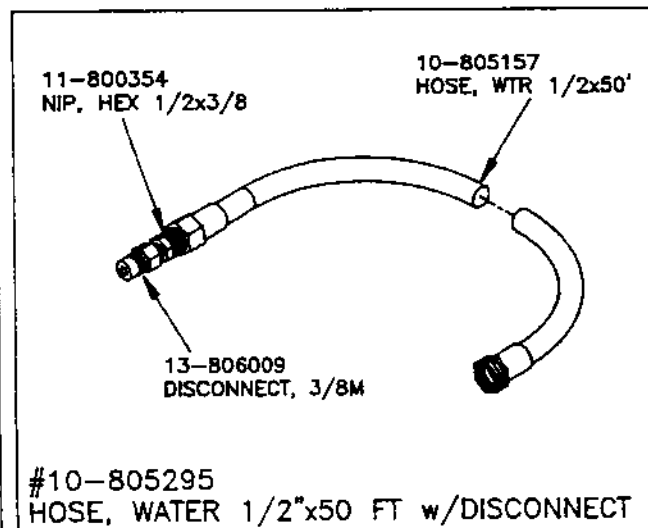
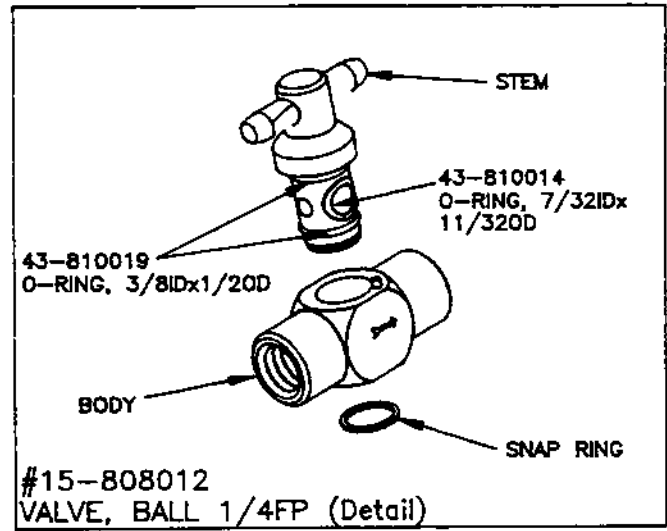
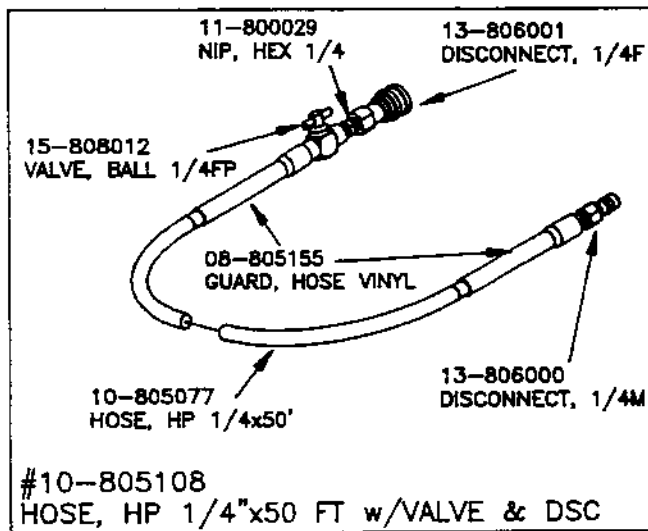
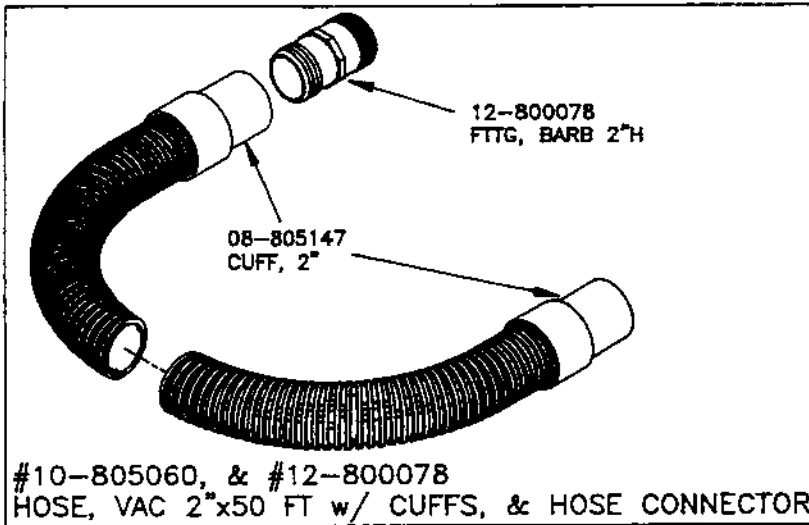
- 30 52-501649..... FITG, CORD WASTE PUMP
- 31 12-800278..... FITG, BARB 1/2Px3/4H
- 32 09-805320..... HOSE, WATER 3/4x85"
- 33 15-808065..... VALVE, SWING CHECK 3/4FP
- 34 00-000078..... SCREW, 1/4-20x1" GR8
- 35 02-000038..... LOCK WASHER, 1/4
- 36 02-000066..... FLAT WASHER, 1/4
- 37 56-501794..... BRKT, OUTL WST PMP
- 38 12-800360..... CONN, 3/4FxHOSE CONN
- 39 12-800052..... CAP, HOSE 3/4
- 40 64-950541..... ASSY, WASTE PUMP CORD
(Includes Parts 6 and 27-30)
- 41 58-500643..... MOLDING, WASTE PUMP
- 42 00-000210..... SCREW, 1/4-20x3/4"
- 43 01-000023..... LOCK NUT, 1/4-20
- 44 50-501706..... GUIDE, STRAINER
- 45 14-806550..... STRAINER, WASTE PUMP
- 46 43-807008..... WASHER, HOSE 5/8IDx1"OD
- 47 66-950412..... ASSY, OUTL WST PMP
(Parts 7,33,37-39, and 46)

EXTERNAL
ELECTRIC
FUEL PUMP
ASSEMBLY
#66-945201



- 1 50-501739.....COVER, FUEL PUMP BRACKET
- 2 02-000066.....FLAT WASHER, 1/4
- 3 02-000038.....LOCK WASHER, 1/4
- 4 00-000055.....SCREW, 1/4-20x3/4" HXHD
- 5 03-000254.....CLAMP, HOSE #6
- 6 09-805345.....HOSE, FUEL 5/16x15' ABRASION RESIST (cut to fit)
- 7 31-900017.....CONN, CORD 1/2
- 8 56-501880.....BRACKET, FUEL PUMP MTG
- 9 42-902311.....FUEL FILTER
- 10 09-805417.....HOSE, FUEL 5/16x3-1/2" ABRASION RESIST
- 11 31-900067.....BUSHING, SNAP
- 12 41-809132.....PUMP, FUEL
- 13 00-000078.....SCREW, 1/4-20x1" HXHD GR 8
- 14 01-000037.....NUT, 1/4-20 HXHD
- 15 64-950548.....CORD, FUEL PUMP

HOSE ACCESSORIES



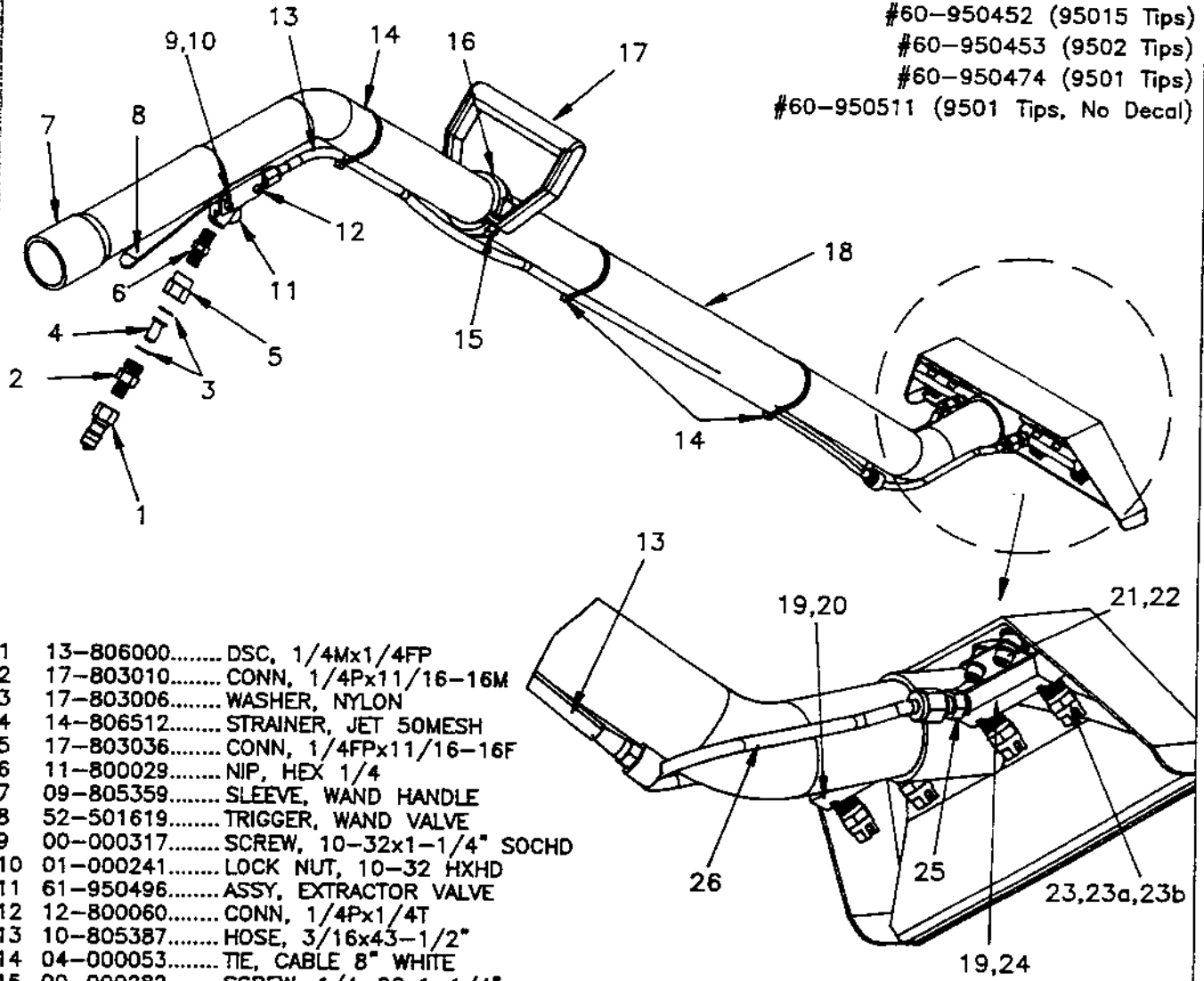
QUAD-JET WAND

#60-950452 (95015 Tips)

#60-950453 (9502 Tips)

#60-950474 (9501 Tips)

#60-950511 (9501 Tips, No Decal)



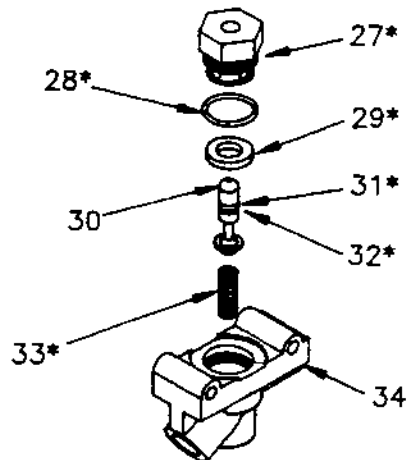
- 1 13-806000..... DSC, 1/4Mx1/4FP
- 2 17-803010..... CONN, 1/4Px11/16-16M
- 3 17-803006..... WASHER, NYLON
- 4 14-806512..... STRAINER, JET 50MESH
- 5 17-803036..... CONN, 1/4FPx11/16-16F
- 6 11-800029..... NIP, HEX 1/4
- 7 09-805359..... SLEEVE, WAND HANDLE
- 8 52-501619..... TRIGGER, WAND VALVE
- 9 00-000317..... SCREW, 10-32x1-1/4" SOCHD
- 10 01-000241..... LOCK NUT, 10-32 HXHD
- 11 61-950496..... ASSY, EXTRACTOR VALVE
- 12 12-800060..... CONN, 1/4Px1/4T
- 13 10-805387..... HOSE, 3/16x43-1/2"
- 14 04-000053..... TIE, CABLE 8" WHITE
- 15 00-000282..... SCREW, 1/4-20x1-1/4"
- 16 52-501569..... HOLD DOWN, WAND HANDLE
- 17 52-501568..... BODY, WAND HANDLE
- 18 56-501940..... WAND&HEAD, CAST SST
- 19 11-800206..... PLUG, 1/8 SOCHD
- 20 56-501966..... ASSY, LEFT S-BEND MNFLD
- 21 00-000347..... SCREW, 10-24x1/4" SOCHD
- 22 02-000032..... LOCK WASHER, #10
- 23 17-803001..... TIP, SPRAY 95015x1/8P (60-950452)
- 23a 17-803002..... TIP, SPRAY 9502x1/8P (60-950453)
- 23b 17-803018..... TIP, SPRAY 9501x1/8P (60-950474/511)
- 24 56-501986..... ASSY, RIGHT S-BEND MNFLD
- 25 12-800322..... CONN, 1/8Px1/4T COMP
- 26 56-501967..... ASSY, S-BEND MANIFOLD
- 27 16-808229..... HOLDER, VALVE STEM
- 28 43-810063..... O-RING, .551IDx.691OD
- 29 16-808228..... SEAT, EXTRACTOR VALVE
- 30 16-808189..... STEM, EXTRACTOR VALVE
- 31 43-810064..... BACK-UP, .250DIA
- 32 43-810062..... O-RING, .114IDx.254OD
- 33 16-808190..... SPRING, EXTRACTOR VALVE
- 34 52-501590..... BODY, EXTRACTOR VALVE

NOT SHOWN

48-941186..... DECAL, WAND HEAD (CAST SST)

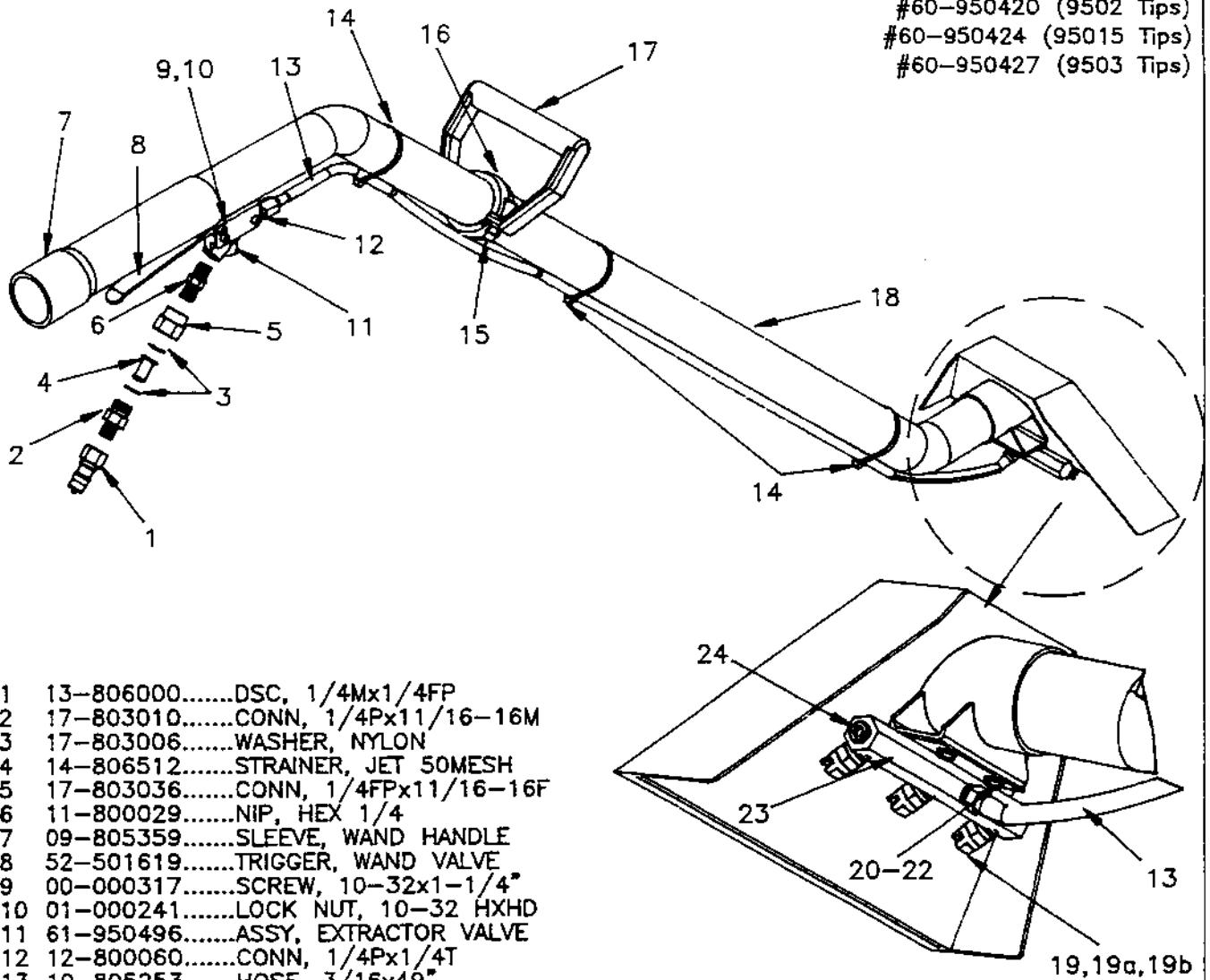
#61-950496 EXTRACTOR VALVE DETAIL

REPAIR KIT, PART #66-808169
(Includes parts with "*")



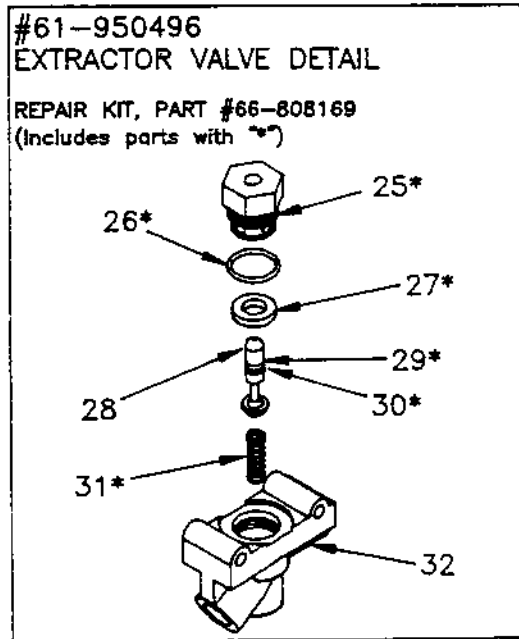
TRI-JET WAND

- #60-950420 (9502 Tips)
- #60-950424 (95015 Tips)
- #60-950427 (9503 Tips)



- 1 13-806000.....DSC, 1/4Mx1/4FP
- 2 17-803010.....CONN, 1/4Px11/16-16M
- 3 17-803006.....WASHER, NYLON
- 4 14-806512.....STRAINER, JET 50MESH
- 5 17-803036.....CONN, 1/4FPx11/16-16F
- 6 11-800029.....NIP, HEX 1/4
- 7 09-805359.....SLEEVE, WAND HANDLE
- 8 52-501619.....TRIGGER, WAND VALVE
- 9 00-000317.....SCREW, 10-32x1-1/4"
- 10 01-000241.....LOCK NUT, 10-32 HXHD
- 11 61-950496.....ASSY, EXTRACTOR VALVE
- 12 12-800060.....CONN, 1/4FPx1/4T
- 13 10-805253.....HOSE, 3/16x49"
- 14 04-000053.....TIE, CABLE 8" WHITE
- 15 00-000282.....SCREW, 1/4-20x1-1/4"
- 16 52-501569.....HOLD DOWN, WAND HANDLE
- 17 52-501568.....BODY, WAND HANDLE
- 18 56-501712.....WAND&HEAD, TRI-JET WAND
- 19 17-803002.....TIP, SPRAY 9502x1/8P (60-950420)
- 19a 17-803001.....TIP, SPRAY 95015x1/8P (60-950424)
- 19b 17-803046.....TIP, SPRAY 9503x1/8P (60-950427)
- 20 00-000331.....SCREW, 10-32x3/8" SST
- 21 02-000032.....LOCK WASHER, #10
- 22 01-000018.....NUT, 10-32 HXHD SST
- 23 56-501739.....MANIFOLD, WAND TRI-JET
- 24 11-800206.....PLUG, 1/8 SOCHD
- 25 16-808229.....HOLDER, VALVE STEM
- 26 43-810063.....O-RING, .551IDx.691OD
- 27 16-808228.....SEAT, EXTRACTOR VALVE
- 28 16-808189.....STEM, EXTRACTOR VALVE
- 29 43-810064.....BACK-UP, .250DIA
- 30 43-810062.....O-RING, .114IDx.254OD
- 31 16-808190.....SPRING, EXTRACTOR VALVE
- 32 52-501590.....BODY, EXTRACTOR VALVE

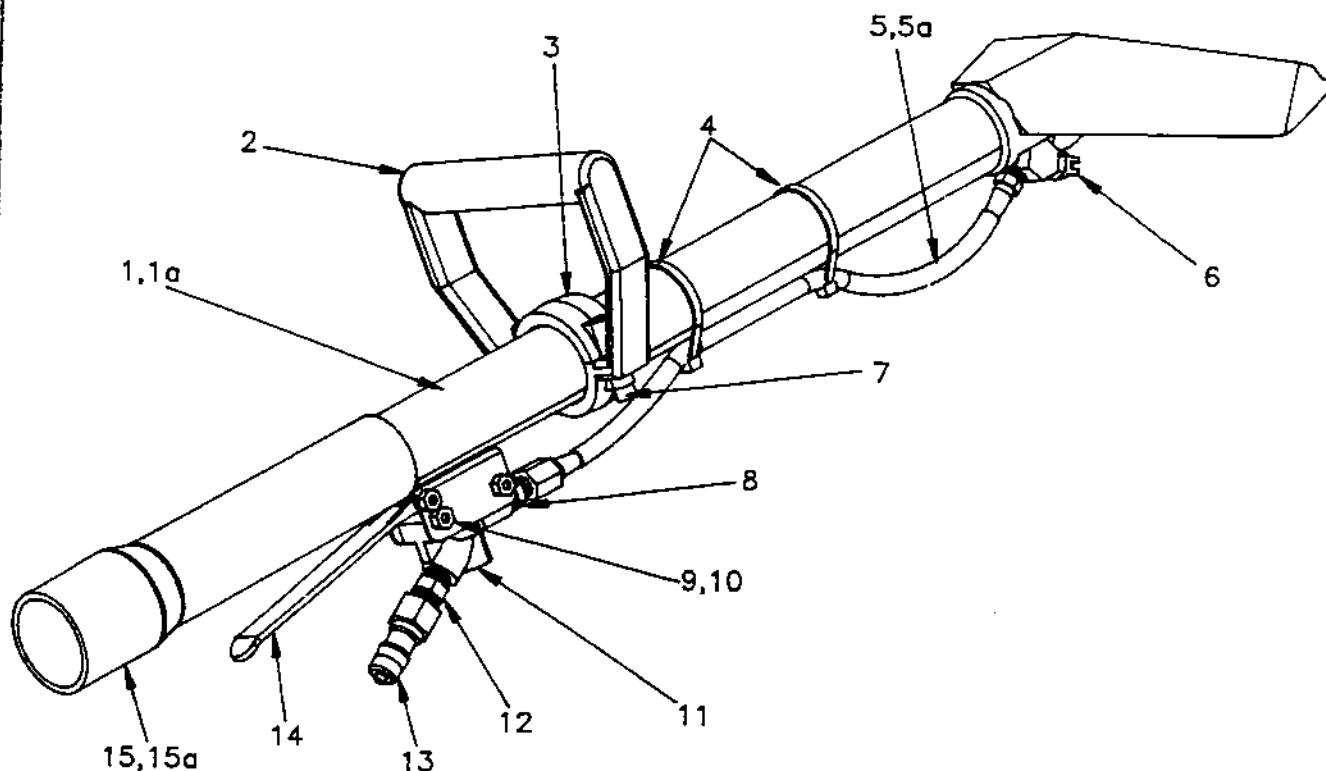
NOT SHOWN
48-941166.....DECAL, WAND HEAD



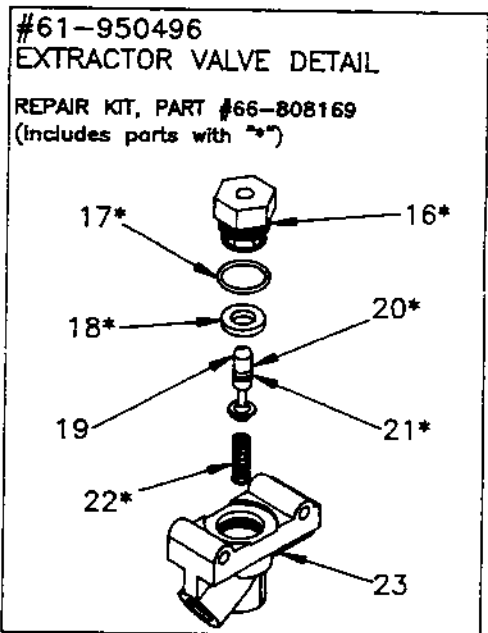
Truck Mount STAIR TOOL

Long (28-1/2") Truck Mt #60-950421

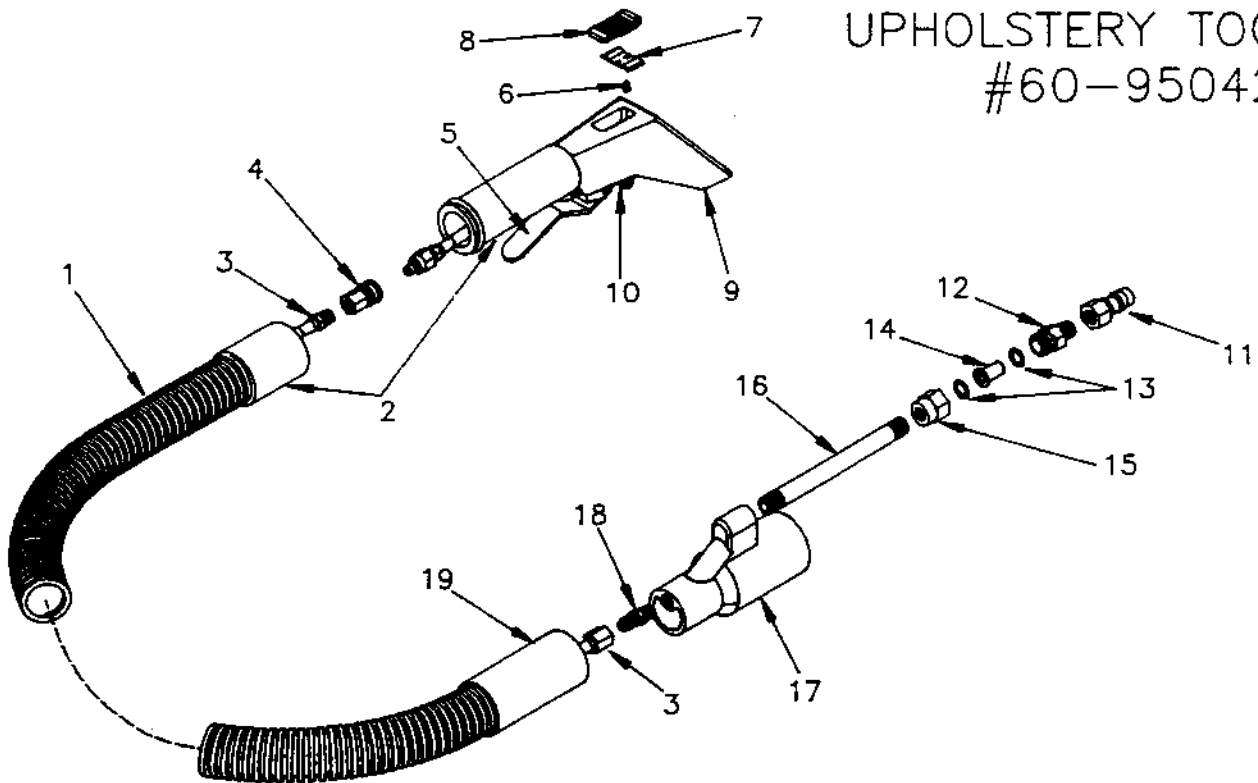
Short (20") Truck Mt #60-950450



- | | | |
|-----|---|---------------------------------|
| 1 | 56-501715.....WD&HD, STAIR TL (Long) | NOT SHOWN |
| 1a | 56-501907.....WD&HD, STAIR TL (Short) | 48-941163.....DECAL, STAIR TOOL |
| 2 | 52-501576.....BODY, WAND HANDLE | |
| 3 | 52-501577.....HOLD DOWN, WAND HDL | |
| 4 | 04-000053.....TIE, CABLE 8" WHITE (Long) | |
| 5 | 10-805330.....HOSE, 3/16x13-1/2" (Long) | |
| 5a | 10-805397.....HOSE, 3/16x7-1/2" (Short) | |
| 6 | 17-803002.....TIP, SPRAY 9502x1/8P | |
| 7 | 00-000282.....SCREW, 1/4-20x1-1/4" | |
| 8 | 12-800060.....CONN, 1/4Px1/4T | |
| 9 | 00-000317.....SCREW, 10-32x1-1/4" | |
| 10 | 01-000241.....LOCK NUT, 10-32 HXHD | |
| 11 | 61-950496.....ASSY, EXTRACTOR VALVE | |
| 12 | 11-800029.....NIP, HEX 1/4 | |
| 13 | 13-806000.....DSC, 1/4Mx1/4FP | |
| 14 | 52-501619.....TRIGGER, WAND VALVE | |
| 15 | 09-805359.....SLEEVE, WAND HANDLE (Long) | |
| 15a | 09-805504.....SLEEVE, WAND HANDLE (Short) | |
| 16 | 16-808229.....HOLDER, VALVE STEM | |
| 17 | 43-810063.....O-RING, .551IDx.691OD | |
| 18 | 16-808228.....SEAT, EXTRACTOR VALVE | |
| 19 | 16-808189.....STEM, EXTRACTOR VALVE | |
| 20 | 43-810064.....BACK-UP, .250DIA | |
| 21 | 43-810062.....O-RING, .114IDx.254OD | |
| 22 | 16-808190.....SPRING, EXTRACTOR VALVE | |
| 23 | 52-501590.....BODY, EXTRACTOR VALVE | |



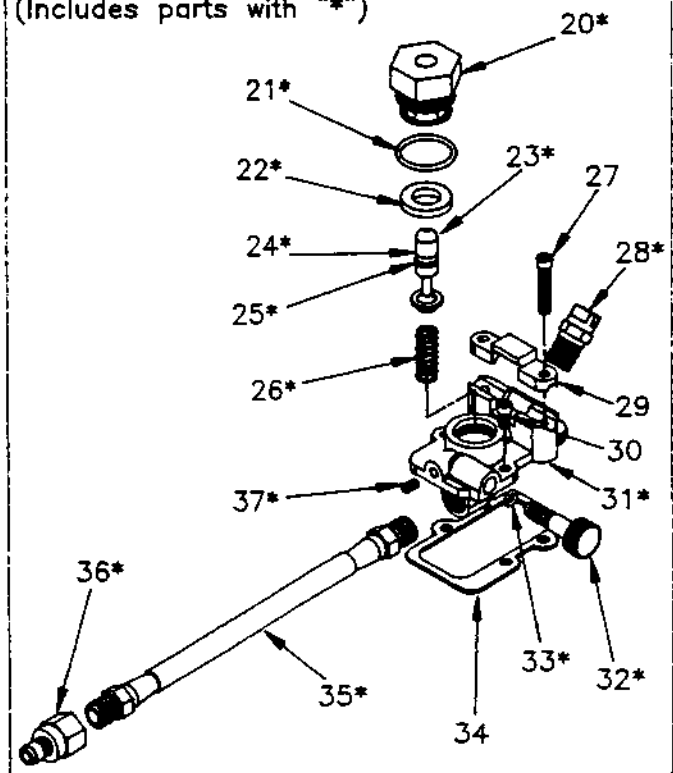
UPHOLSTERY TOOL #60-950422



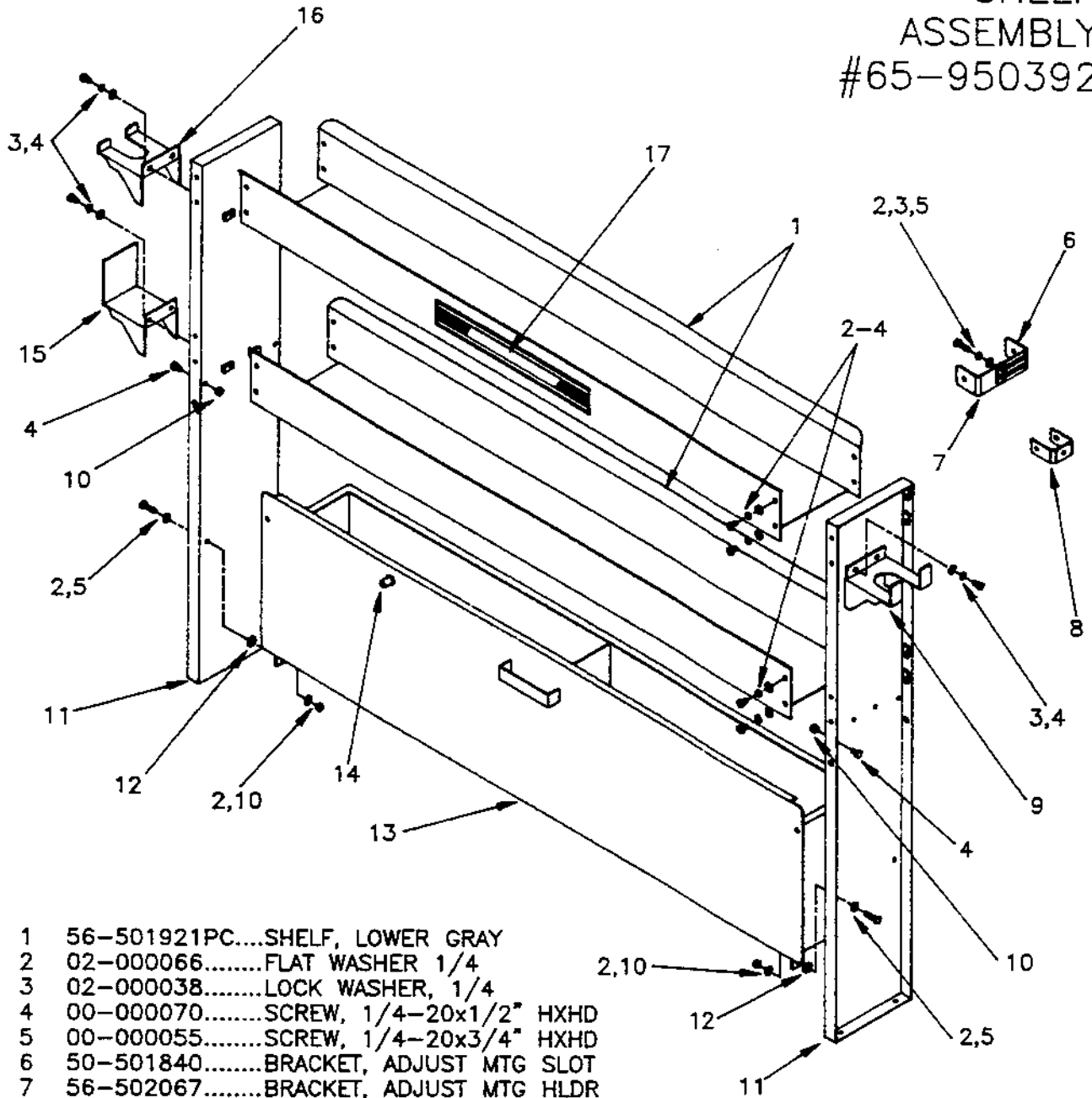
- 1 09-805131.....HOSE, VAC 1-1/4x10"
- 2 08-805243.....CUFF, SWIV 1-1/4Hx1-1/4T
- 3 10-805347.....HOSE, 3/16x119-1/2"
- 4 13-806023.....DSC, 1/8Fx1/8FP
- 5 58-500639.....CASTING, UPHLST TL TRIG
- 6 00-000310.....SCREW, 4-40x7/32"
- 7 04-000282.....SPRING, VAC ADJUST
- 8 52-501624.....BUTTON, VAC ADJUST
- 9 52-501842.....TOOL, UPHOLSTERY
- 10 61-950570.....ASSY, UPHLST TOOL VALVE
- 11 13-806000.....DSC, 1/4Mx1/4FP
- 12 17-803010.....CONN, 1/4MPx11/16-16M
- 13 17-803006.....WASHER, NYLON
- 14 14-806512.....STRAINER, JET 50MESH
- 15 17-803036.....CONN, 1/4FPx11/16-16F
- 16 11-800404.....NIP, 1/4x5" SST
- 17 52-501585.....COUPLER, UPHOLSTERY TL
- 18 12-800065.....CONN, 1/8Px1/4T
- 19 08-805138.....CUFF, 1-1/4Hx1-1/2T
- 20 16-808229.....HOLDER, VALVE STEM
- 21 43-810063.....O-RING, .551IDx.691OD
- 22 16-808228.....SEAT, EXTRACTOR VALVE
- 23 16-808189.....STEM, EXTRACTOR VALVE
- 24 43-810064.....BACK-UP, .250DIA
- 25 43-810062.....O-RING, .114IDx.254OD
- 26 16-808190.....SPRING, EXTRACTOR VALVE
- 27 00-000306.....SCREW, 6-32x1"
- 28 17-803033.....TIP, SPRAY 80015x1/8P
- 29 58-500638.....CASTING, TRIGGER CLAMP
- 30 00-000307.....SCREW, 6-32x3/8"
- 31 52-501623.....VALVE, UPHOLSTERY TOOL
- 32 52-501626.....VALVE, ADJUST UPHLST TL
- 33 43-810016.....O-RING, 5/32IDx9/32OD
- 34 43-807513.....GASKET, UPHLST TOOL VLV
- 35 10-805348.....HOSE, 3/16x6-1/2"
- 36 13-806030.....DSC, 1/8Mx1/8FP
- 37 00-000408.....SCREW, SET 8-32x1/4"

NOT SHOWN
 48-941164.....DECAL, UPHOLSTERY TOOL
 66-808169.....KIT, REPAIR WAND VALVE
 (Includes Parts 20-22, and 24-26)

#61-950570 UPHOLSTERY TOOL VALVE DETAIL (Includes parts with "**")



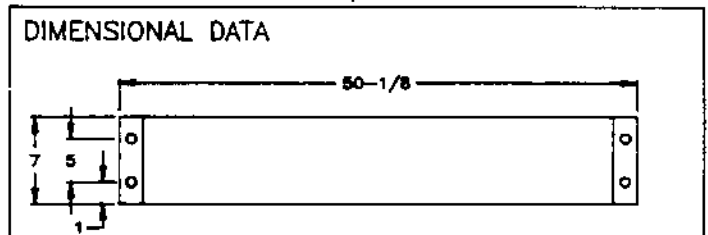
SHELF
ASSEMBLY
#65-950392



- 1 56-501921PC....SHELF, LOWER GRAY
- 2 02-000066.....FLAT WASHER 1/4
- 3 02-000038.....LOCK WASHER, 1/4
- 4 00-000070.....SCREW, 1/4-20x1/2" HXHD
- 5 00-000055.....SCREW, 1/4-20x3/4" HXHD
- 6 50-501840.....BRACKET, ADJUST MTG SLOT
- 7 56-502067.....BRACKET, ADJUST MTG HLDR
- 8 56-501942.....BRACKET, SHELF MOUNTING
- 9 50-501753.....HOLDER, STAIR TOOL
- 10 01-000105.....LOCK NUT, 1/4-20 HXHD
- 11 56-501922PC....PANEL, SHELF END GRAY
- 12 50-501749.....WASHER, NYLON
- 13 56-501920PC....DRWR, SHLF GRAY
- 14 46-802506.....LATCH, ADJ GRIP
- 15 50-501755.....HLDR, UP TL HOS
- 16 50-501754.....HLDR, UPHLST TL
- 17 48-941152.....DECAL, PROCHEM

NOT SHOWN
66-945424.....KIT, ADJ BRACKET
(Includes items 6,7
& mtg hardware)

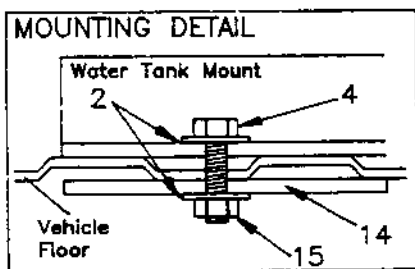
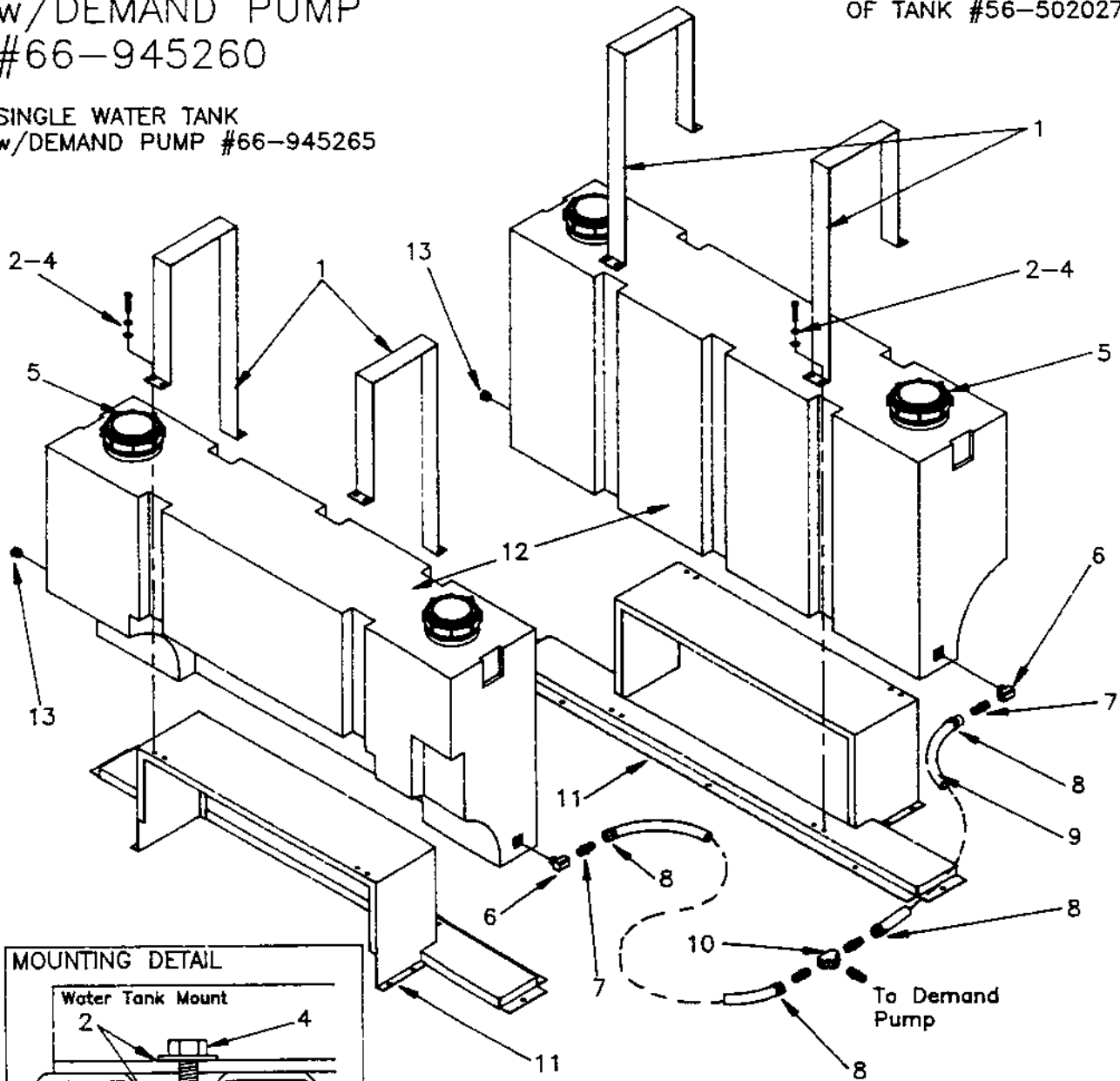
OVERALL DIMENSIONS:
41-1/2" TALL
50-1/8" WIDE
57" WIDE (with tool holders)
7-7/8" DEEP



DUAL WATER TANK w/DEMAND PUMP #66-945260

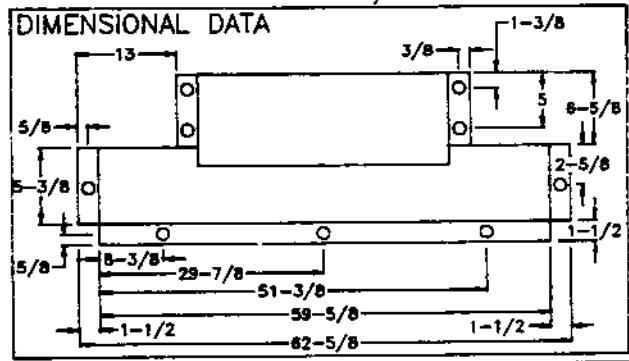
SINGLE WATER TANK
w/DEMAND PUMP #66-945265

ACCESSORIES NOT SHOWN:
JUG HOLDER, MOUNTS ON TOP
OF TANK #56-502027PC



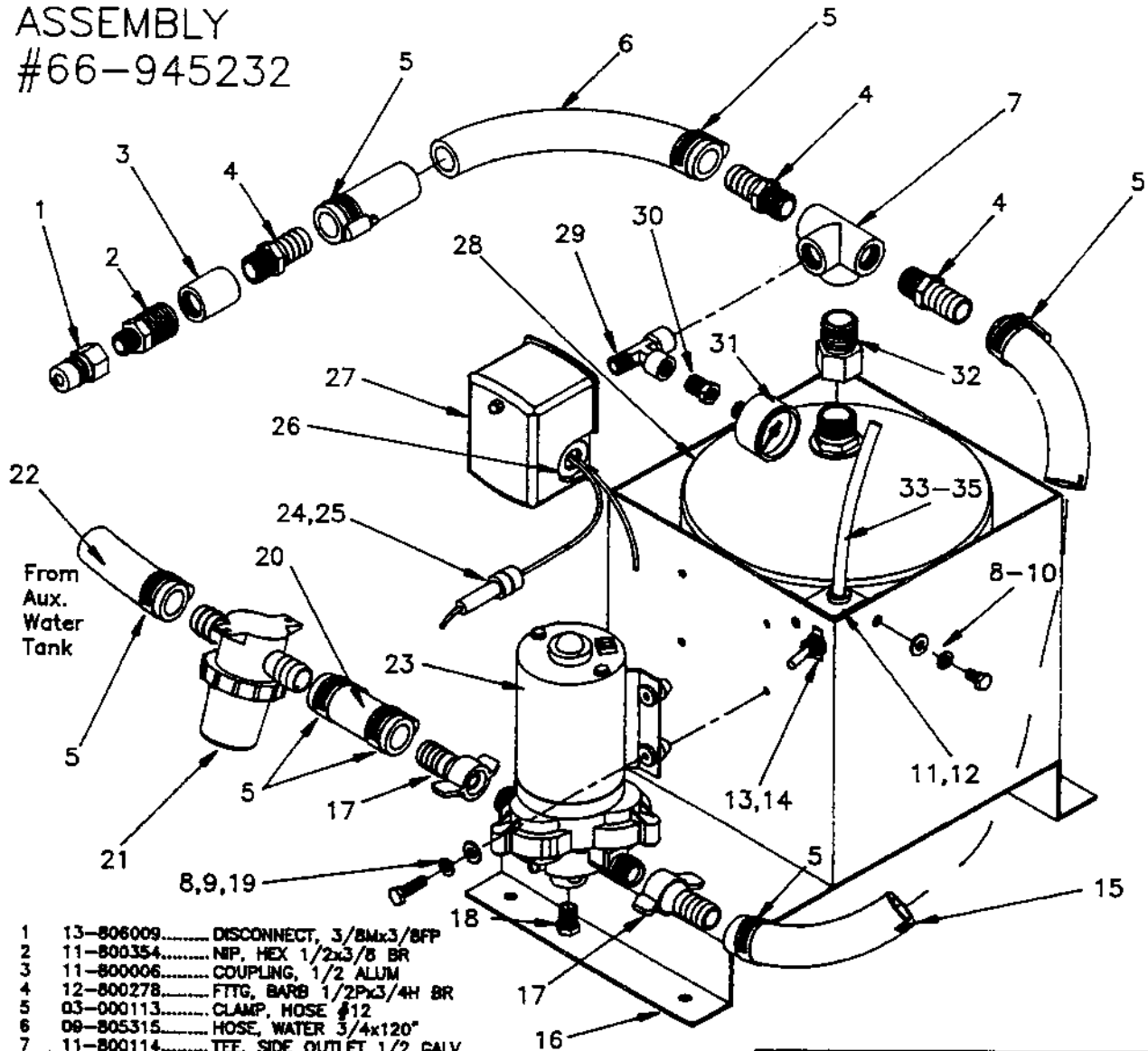
OVERALL DIMENSIONS:
32-1/2" TALL
62-5/8" WIDE
15-1/2" DEEP

- 1 50-501774PC....HOLD DOWN, SADDLE TANK GRAY
- 2 02-000074.....FLAT WASHER, 3/8
- 3 02-000075.....LOCK WASHER, 3/8
- 4 00-000072.....SCREW, 3/8-16x2" HXHD
- 5 11-800432.....CAP, WATER BOX
- 6 11-800041.....ELL, STREET 1/2 BRASS
- 7 12-800278.....FITTING, BARB 1/2Px3/4H BR
- 8 03-000113.....CLAMP, HOSE #12
- 9 09-805456.....HOSE, WTR 3/4x8' (cut to fit)
- 10 11-800085.....TEE, 1/2 BRASS
- 11 56-502000PC....ASSY, BASE SADDL TNK GRY
- 12 58-500661.....MOLDING, WATER TANK
- 13 11-800168.....PLUG, 1/2 BRASS HXHD
- 14 50-500511.....PLATE, INSTALL MT
- 15 01-000158.....LOCK NUT, 3/8-16 HXHD NYLOK

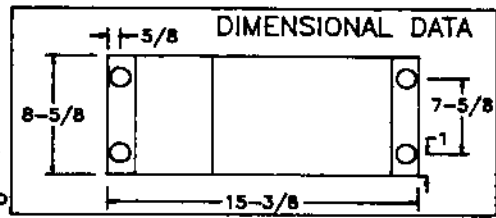


DEMAND PUMP ASSEMBLY

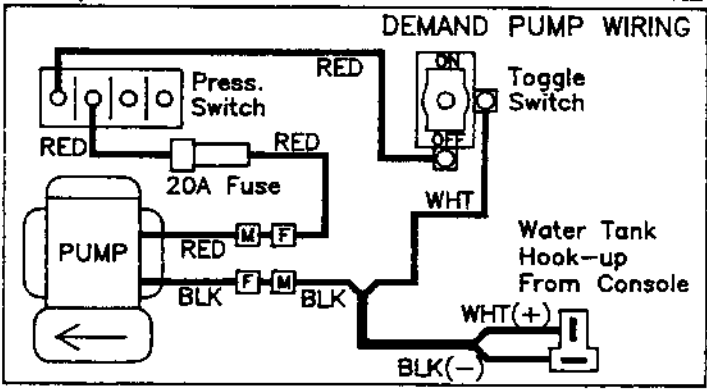
#66-945232



- 1 13-806009..... DISCONNECT, 3/8Mx3/8FP
- 2 11-800354..... NIP, HEX 1/2x3/8 BR
- 3 11-800006..... COUPLING, 1/2 ALUM
- 4 12-800278..... FTTG, BARB 1/2Px3/4H BR
- 5 03-000113..... CLAMP, HOSE #12
- 6 09-805315..... HOSE, WATER 3/4x120"
- 7 11-800114..... TEE, SIDE OUTLET 1/2 GALV
- 8 02-000066..... FLAT WASHER, 1/4
- 9 02-000038..... LOCK WASHER, 1/4
- 10 00-000070..... SCREW, 1/4-20x1 1/2" HXHD
- 11 56-501954..... HOLDER, SWITCH-DEMAND PUMP
- 12 43-807502..... GROMMET, 3/8IDx5/8OD
- 13 32-900087..... SWITCH
- 14 49-876249..... PLATE, SWITCH ON/OFF
- 15 09-805291..... HOSE, WATER 3/4x19"
- 16 56-501950PC..... HOLDER, DEMAND PUMP GRAY
- 17 12-800392..... FTTG, BARB 1/2Px3/4H PLSTC
- 18 11-800169..... PLUG, 1/4 BR
- 19 00-000078..... SCREW, 1/4-20x1 HXHD GR B
- 20 09-805278..... HOSE, WATER 3/4x3"
- 21 14-806553..... FILTER, DEMAND PUMP
- 22 09-805061..... HOSE, WATER 3/4x63"
- 23 41-809145..... PUMP, SHURFLO 2088-343-500
- 24 31-900171..... HOLDER, FUSE
- 25 33-900167..... FUSE, AGW 20AMP
- 26 43-807506..... GROMMET, 5/8IDx1-1/8OD
- 27 35-900187..... SWITCH, WATER PRESSURE
- 28 41-700001..... VESSEL, PRESSURE
- 29 11-800472..... TEE, 1/4FxMx1/4 BR
- 30 11-800039..... BUSHING, 1/4x1/8 BR
- 31 18-808536..... GAUGE, PRESSURE 0-60PSI
- 32 12-800369..... CONNECTOR, 3/4FPx1/2P
- 33 64-950641..... CORD, 14-2x10 FT
- 34 31-900187..... CONNECTOR, 2 TERM FEMALE
- 35 31-900157..... TERM, DSC 1/4F 14-16 WIR

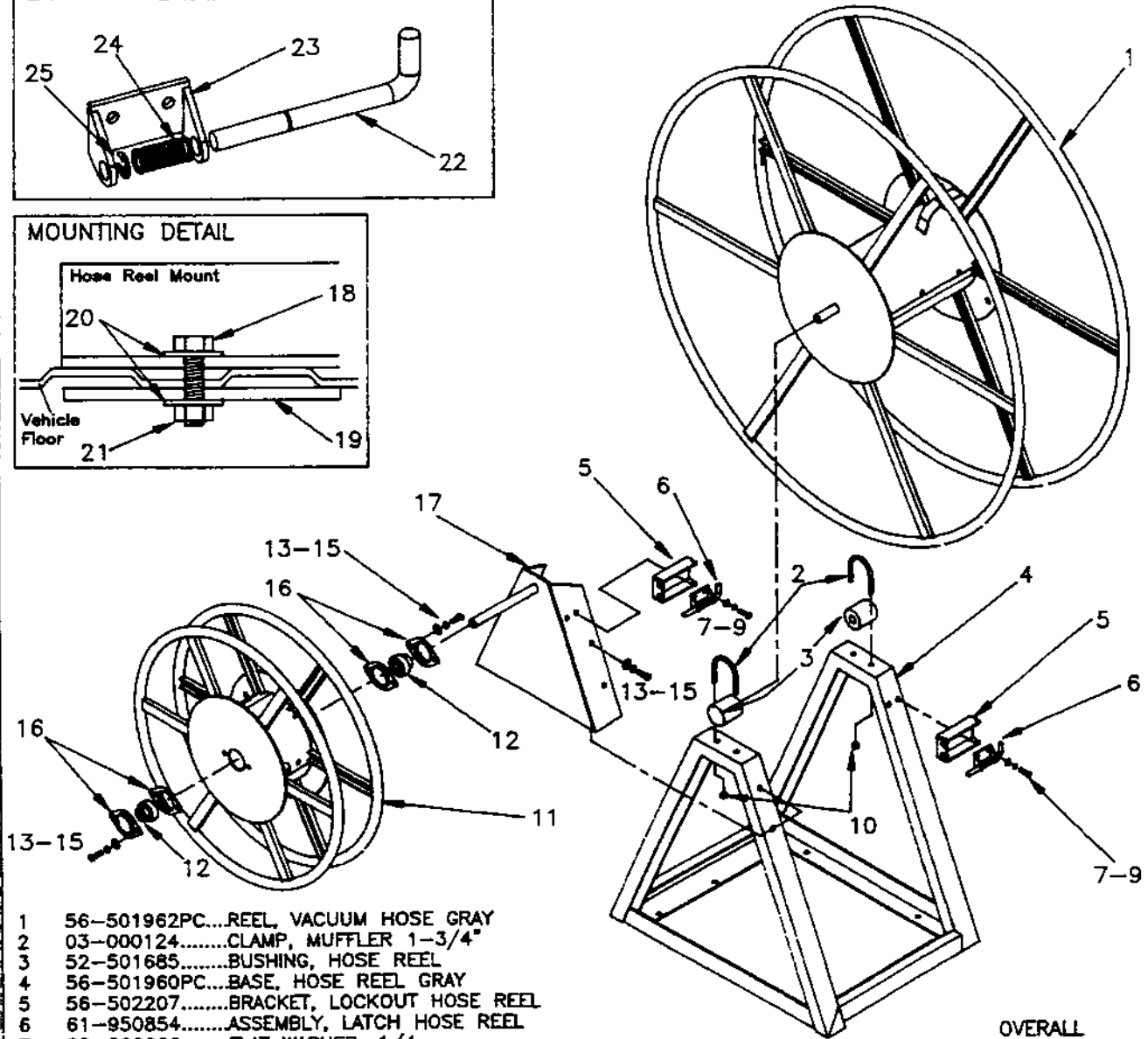
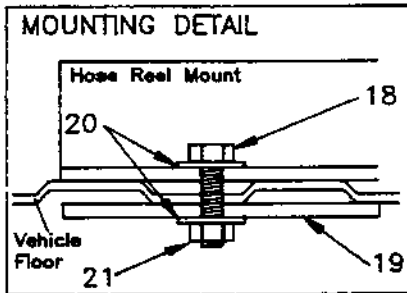
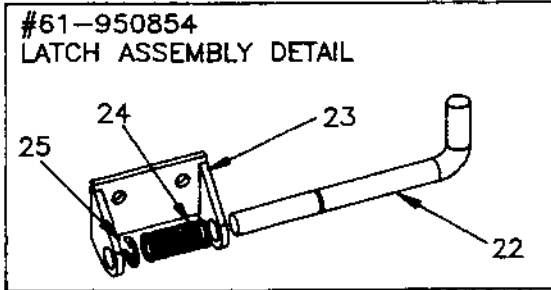


OVERALL DIMENSIONS:
 16-1/2" TALL
 8-5/8" WIDE
 15-3/8" DEEP



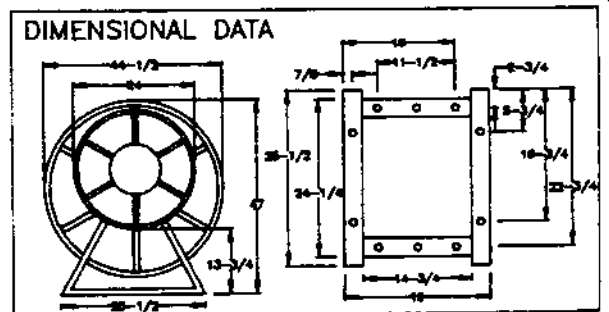
ACCESSORIES NOT SHOWN:
 HOSE REEL, VACUUM HOSE ONLY #65-950438
 DOOR-MOUNT HP HOSE REEL #65-950482

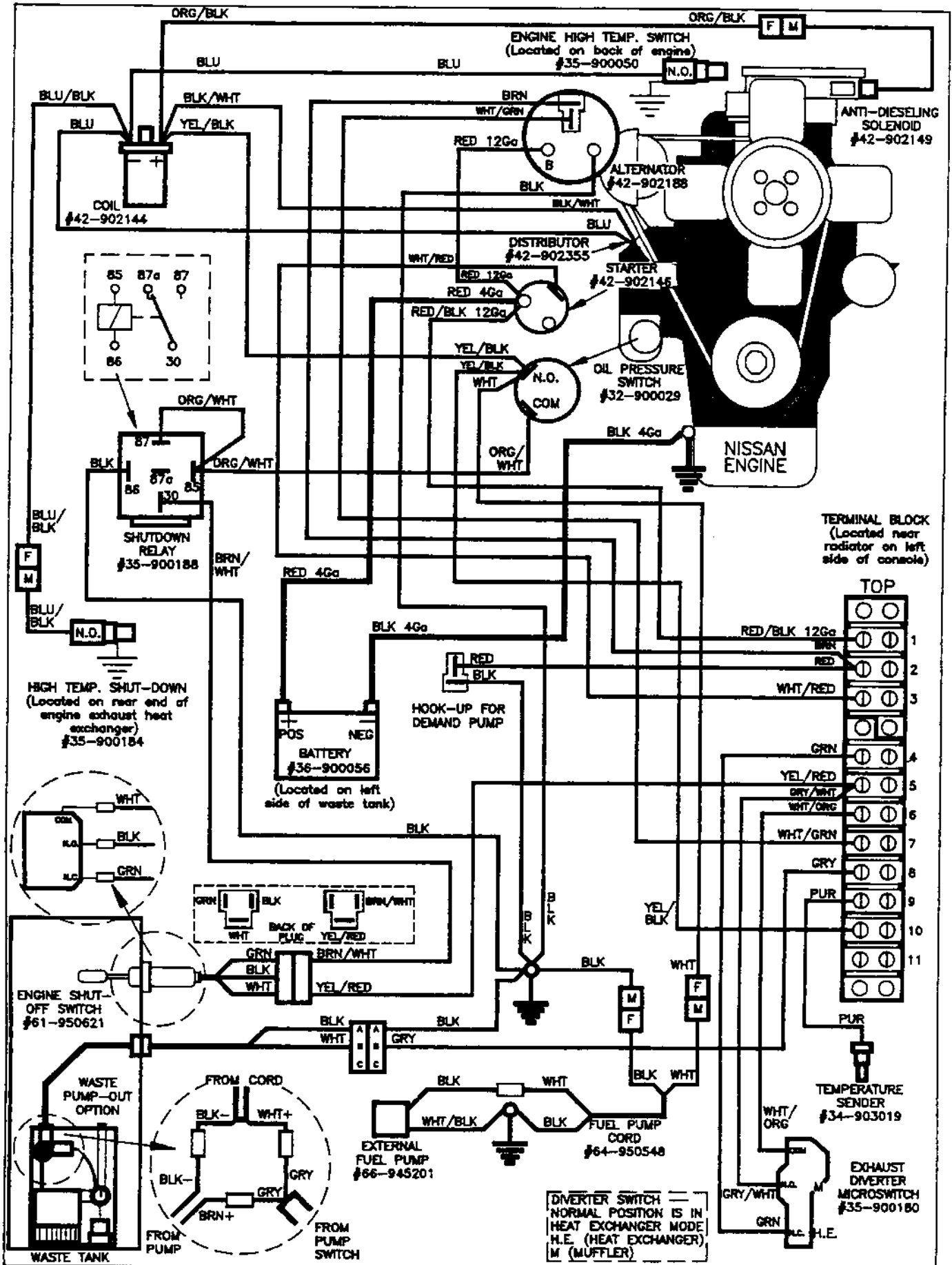
HOSE REEL ASSEMBLY #65-950393

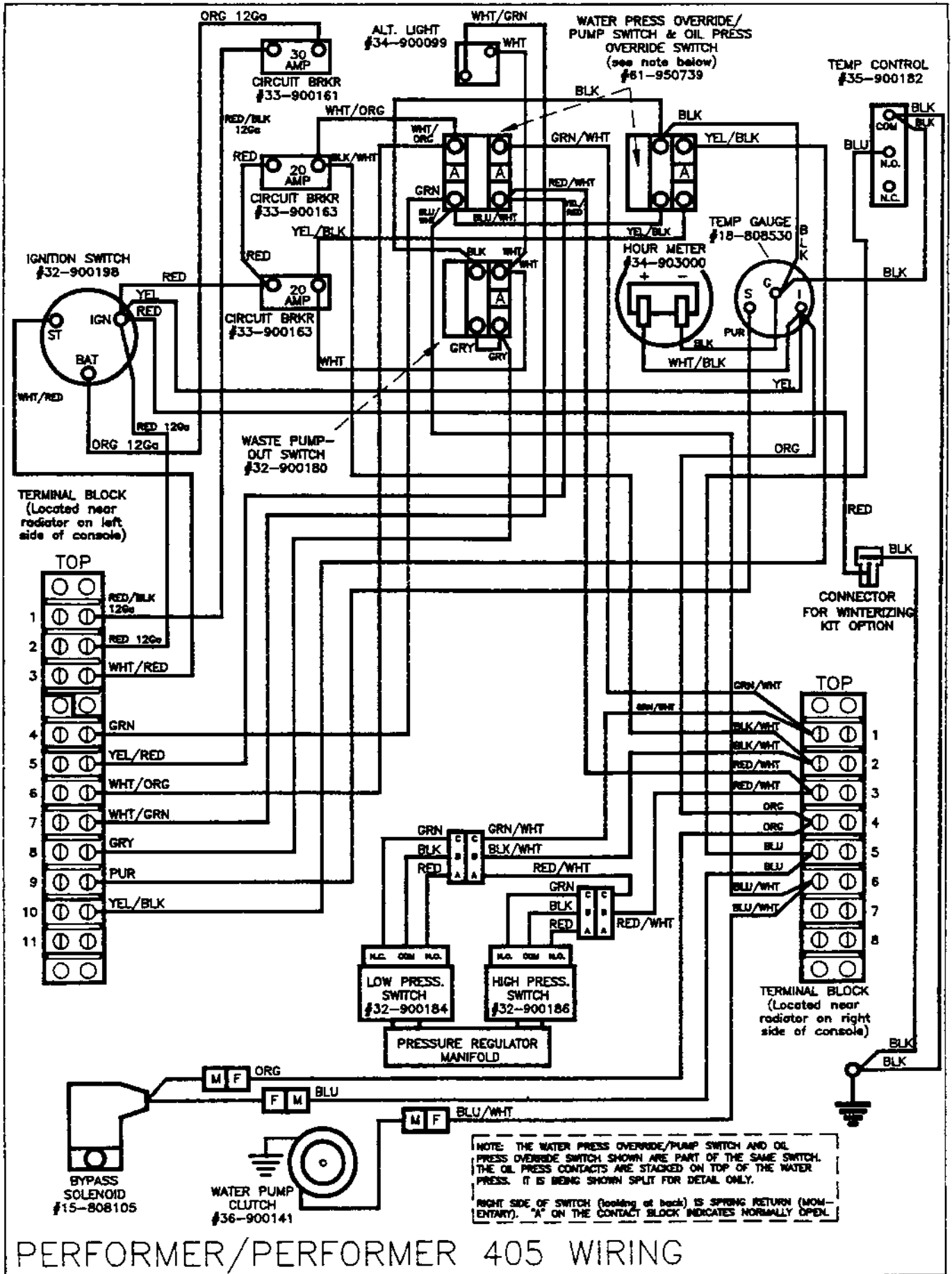


- 1 56-501962PC...REEL, VACUUM HOSE GRAY
- 2 03-000124.....CLAMP, MUFFLER 1-3/4"
- 3 52-501685.....BUSHING, HOSE REEL
- 4 56-501960PC...BASE, HOSE REEL GRAY
- 5 56-502207.....BRACKET, LOCKOUT HOSE REEL
- 6 61-950854.....ASSEMBLY, LATCH HOSE REEL
- 7 02-000066.....FLAT WASHER, 1/4
- 8 02-000038.....LOCK WASHER, 1/4
- 9 00-000055.....SCREW, 1/4-20x3/4"
- 10 01-000041.....NUT, 5/16-18 HXHD (Part of item #2)
- 11 56-501968PC...REEL, HP HOSE GRAY
- 12 45-802138.....BEARING, HOSE REEL
- 13 02-000143.....FLAT WASHER, 5/16
- 14 02-000040.....LOCK WASHER, 5/16
- 15 00-000039.....SCREW, 5/16-18x1"
- 16 44-802122.....FLANGE, 47MST
- 17 56-501961PC...BODY, HP HOSE GRAY
- 18 00-000072.....SCREW, 3/8-16x2"
- 19 50-500511.....PLATE, INSTALL MOUNT
- 20 02-000074.....FLAT WASHER, 3/8
- 21 01-000158.....LOCK NUT, 3/8-16 HXHD NYLOK
- 22 55-501789.....PIN, LOCK HOSE REEL
- 23 50-501812.....BRACKET, HOSE REEL LOCK
- 24 04-000302.....SPRING, LOCK-LOCK PIN ASSY
- 25 04-000303.....CLIP, RETAINER-LOCK PIN ASSY

OVERALL
 DIMENSIONS:
 47" TALL
 29" WIDE
 44-1/2" DEEP







NOTE: THE WATER PRESS OVERRIDE/PUMP SWITCH AND OIL PRESS OVERRIDE SWITCH SHOWN ARE PART OF THE SAME SWITCH. THE OIL PRESS CONTACTS ARE STACKED ON TOP OF THE WATER PRESS. IT IS BEING SHOWN SPLIT FOR DETAIL ONLY.

RIGHT SIDE OF SWITCH (looking at back) IS SPRING RETURN (NOM-ENTARY). "A" ON THE CONTACT BLOCK INDICATES NORMALLY OPEN.

PERFORMER/PERFORMER 405 WIRING