

INDEPENDENT POWERSPRAYER INDEPENDENT POWERSPRAYER INDEPENDENT POWERSPRAYER INDEPENDENT POWERSPRAYER

# IPS PRO V7

## INSTRUCTIONS MANUAL

**\*\*\*\* READ FIRST \*\*\*\***

POWERSPRAYER INDEPENDENT POWERSPRAYER INDEPENDENT POWERSPRAYER INDEPENDENT POWERSPRAYER

# The Future Of Spraying Systems



*"The Most Versatile And Easy To Use Sprayer On The Market !"*



Independent Power Sprayer



# IPS PRO

INDEPENDENT POWERSPRAYER

Visit us at [www.ipspro.us](http://www.ipspro.us)

INDEPENDENT POWERSPRAYER INDEPENDENT POWERSPRAYER INDEPENDENT POWERSPRAYER INDEPENDENT POWERSPRAYER

**\*\*\* USER MANUAL - READ FIRST \*\*\***

**IPS PRO Sprayers Uses:**

IPS Pro Spraying Systems are used by over 115,000 contractors to apply cleaning solutions, sealants, stains, water repellents, mildewcides, insecticides and hundreds of other products. Our unique composition of Viton, polypropylene, polyoxymethylene and polyvinyl chloride make it one of the most versatile spraying systems available for applying almost any type of cleaning solutions, including products that contain solvents, peroxide, hydrochloric acid, d-limonene, sodium hypochlorite up to 10%, chlorine up to 20%.

**Warranty Information:**

IPS PRO warrantees the sprayer for one year, and the batteries for 6 months from the date of purchase for all registered purchasers against manufacturing defects or faulty components. IPS PRO will mail replacement parts to purchaser or repair the product at one of our authorized repair facilities. This warranty does not cover part failure due to non compliance with operating instructions, normal wear, or tool abuse resulting in cracked, broken or damaged components. Deficient parts or units will be replaced or repaired at the discretion of IPS PRO. Return freight, packing and insurance costs, if any, will be paid by the owner. This warranty gives you specific legal rights, and you may also have other rights, which vary from state to state.

**PACKING LIST**

This product requires assembly. Carefully remove the product and any accessories from the box. Make sure that all the contents from the packaging list are included.

- 1 – IPSPRO Sprayer V7 with quick connector
- 2 – 2 x Lithium Ion Battery 14.4 V – 2.2Ah
- 3 – Super Quick Charger
- 4 – Brass Strainer/Valve
- 5 – 25' PVC Hose 6/9mm
- 6 – Telescopic extension wand from 20 inches to 50 inches
- 7 – Nozzle Kit (with 1 Concentrated jet nozzle of 1 mm, 1 Flood jet nozzle of 1.6 mm and 1 Flat fan nozzle of 1.2 mm)
- 8 – Hose clip
- 9 – Shoulder strap
- 10 – Instructions manual IPS PRO V7



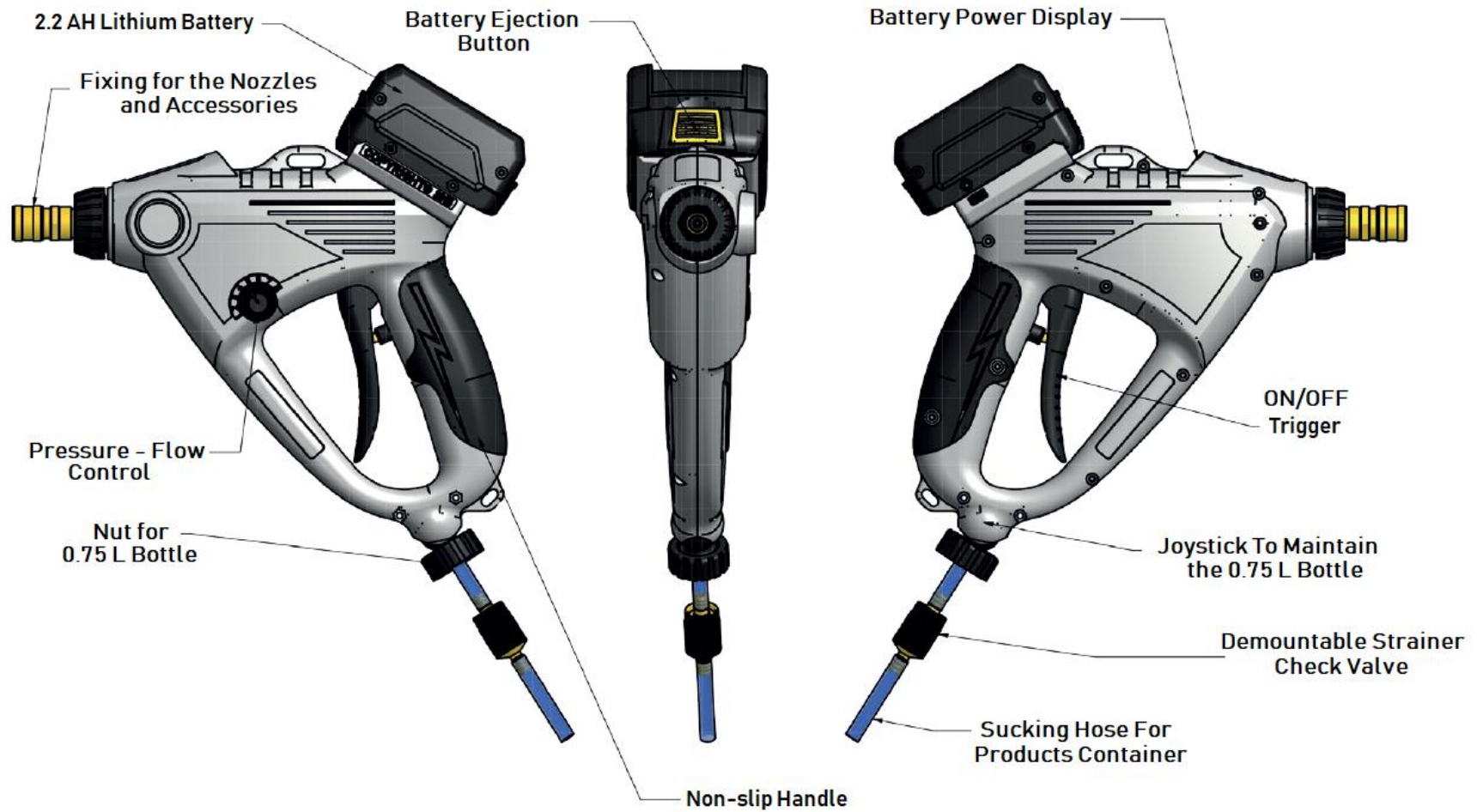
***All pictures shown in this instructions manual are for illustration purposes only. The actual product may vary due to product enhancement.***



## IPS PRO V7 FULL PACK

[www.ipspro.us](http://www.ipspro.us)

INDEPENDENT POWER SPRAYER INDEPENDENT POWER SPRAYER INDEPENDENT POWER SPRAYER



# KNOW YOUR SPRAYER

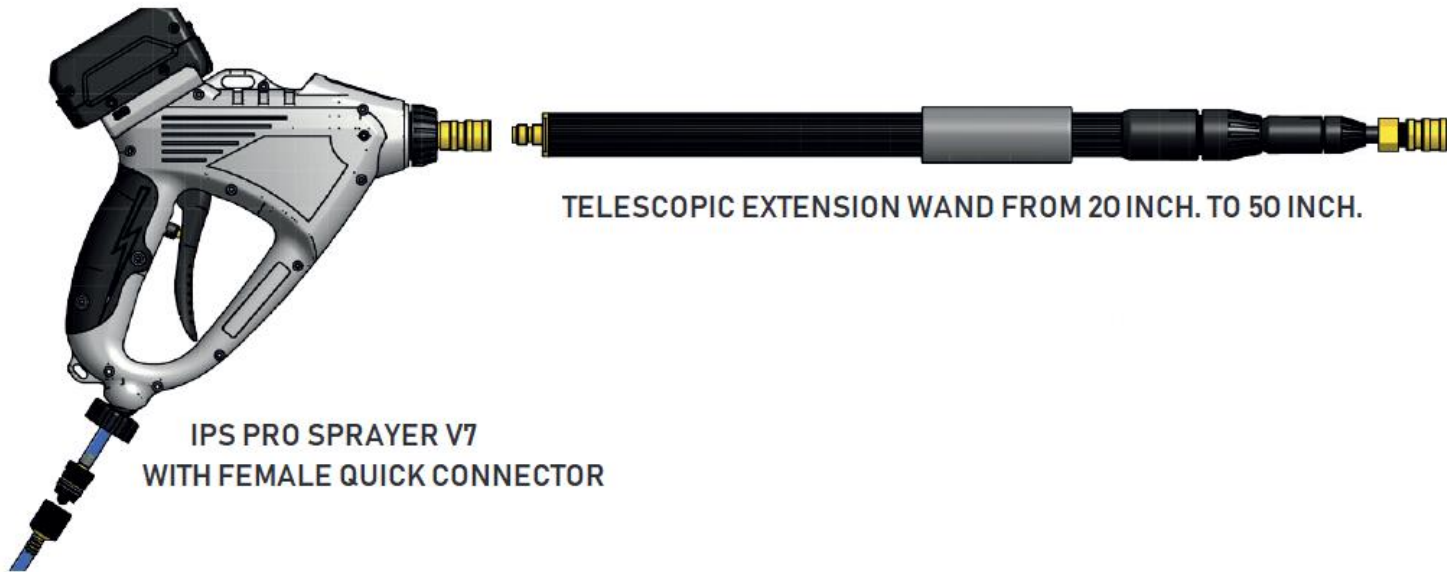
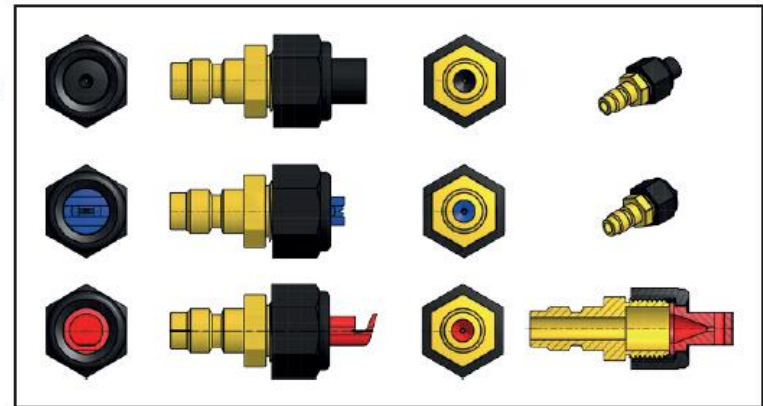
[www.ipsprou.com](http://www.ipsprou.com)

INDEPENDENT **POWER** SPRAYER INDEPENDENT **POWER** SPRAYER INDEPENDENT **POWER** SPRAYER



IPS PRO V7 FULL PACK

- NOZZLE KIT:**
- 1 Concentrated jet nozzle
  - 1 Flood jet nozzle
  - 1 Flat fan jet nozzle



TELESCOPIC EXTENSION WAND FROM 20 INCH. TO 50 INCH.

IPS PRO SPRAYER V7  
WITH FEMALE QUICK CONNECTOR

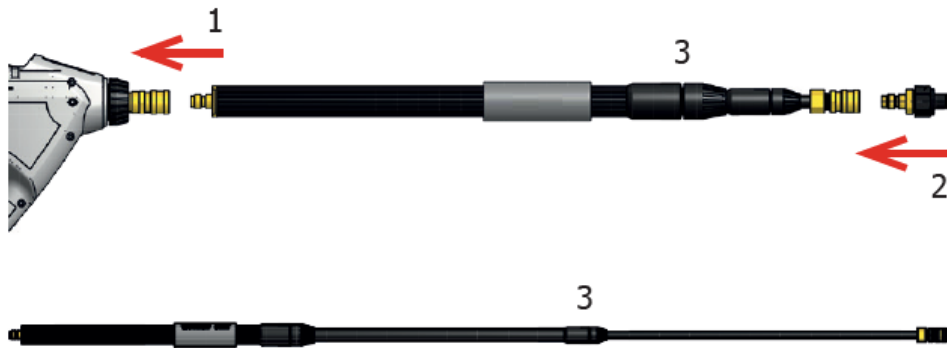
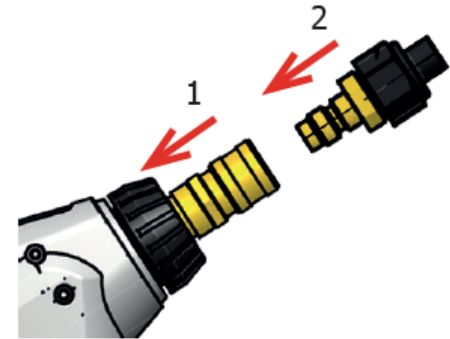
## ACCESSORIES

[www.ipipro.us](http://www.ipipro.us)

INDEPENDENT **POWER** SPRAYER INDEPENDENT **POWER** SPRAYER INDEPENDENT **POWER** SPRAYER



Unclip the female quick connector (1) and at the same time, snap on the male quick connector equipped with the nozzle (2).



Unclip the female quick connector and at the same time, clip the male quick connector of the extension (1). Then unclip the female quick connector at the end of the extension and clip the male quick connector fitted with the nozzle (2). Unscrew the nut of the extension and choose the desired length (3).

## INSTRUCTIONS

[www.ipspro.us](http://www.ipspro.us)

INDEPENDENT POWER SPRAYER INDEPENDENT POWER SPRAYER INDEPENDENT POWER SPRAYER

## NOZZLE KIT INCLUDED:



### **#1: Flood Jet nozzle 1.6 mm**

It diffuses a flat jet of small width for the localized weeding and the specific treatments: houses, facades, palisades, roofs, frames (Antifoam, water repellent, xylophene, water-based glazing) and to spray most of plant protection products.

### **#2: Flat Fan jet nozzle 1.2 mm**

Its triangular jet of small thickness is ideal for weed control as close as possible to your plantations.

### **#3: Concentrated Jet nozzle 1.0 mm**

It produces a jet that propels your products to a distance of 10 meters. Ideal for the treatment of roofs, trees, destruction of insect nests...

# NOZZLE KIT

[www.ipspro.us](http://www.ipspro.us)

INDEPENDENT **POWER** SPRAYER INDEPENDENT **POWER** SPRAYER INDEPENDENT **POWER** SPRAYER

## **CHEMICAL SUPPLY OPTIONS:**

**OPTION1 - Using a plastic bottle:** To use the sprayer with a bottle, you must use a 2 Liter bottle or smaller, made for carbonated fluids. Just attach the small hose to the bottom of the gun, then insert it into the bottle as you screw the bottle in to the bottom of gun. **Caution: Do not use bottles over 2 Liters and be careful not to over tighten the bottle.**

Option 1 is recommended for small areas. Prepare your specific product in a bottle of soda and insert the brass strainer into the bottle, then screw the bottle to the sprayer. The bottle holder of the IPSPRO sprayer is equipped with a ball joint which adapts to the different positions when using it.

**OPTION 2 - Using the 30' supply hose:** Insert the end of the hose with the wire coil inside it on to the bottom of the sprayer as indicated on the drawing. Next, insert the filter on the opposite end of the hose and place it into your container. **Note: When working at heights, make sure you start the sprayer on ground level first to prime the pump.**

Option 2 is recommended for large areas. Insert the 30' hose with the brass suction strainer (filter) into a container (watering can, can, tank...) and connect the other end of the hose on the brass strainer of the sprayer.

### **⚠ WARNING**

**Before starting work and before starting the device, be sure to set the flow rate of the IPSPRO sprayer on position 1 (graduated wheel) and then, increasing it gradually. Do not put the sprayer down when the bottle is full (Option1). Do not submerge the IPSPRO sprayer with liquids.**

### **OPTION 1:**



### **OPTION 2:**





**The Manufacturer's Warranty will be voided if the following procedures are not followed.** During use, **always use one of the provided filters** to prevent debris from clogging the pump. After use, **rinse out the sprayer and tips** by spraying 1 gallon of water (approximately 2 minutes) through the pump. **Remove batteries after charging and unplug the battery charger when not in use.**

**IMPORTANT SAFETY INTRODUCTIONS:** Stay alert and vigilant, be focused on the work you are doing and be cautious of your surroundings while using this device. Do not use when you are tired or under the influence of alcohol, drugs, or medications. Use safety gloves, protective masks, and protective glasses while using the sprayer.

**BATTERY SAFETY: NEVER LEAVE THE BATTERIES IN THE SPRAYER OR IN THE CHARGER.** Only use the batteries and charger provided with the tool. When batteries are not being used, keep them away from any metal objects i.e. paper clips, coins, keys, nails, or screws. Keep the battery charger, batteries and gun motor dry at all times to avoid damage or electrical shock. When damaged, liquid can leak from the battery, avoid contact with the substance. In the case of an accidental contact, clean with water. If the fluid gets into your eyes immediately rinse with water and seek medical assistance.

#### **CHARGING THE IPSPRO BATTERIES:**

1. Unpack the sprayer and make sure the kit is complete.
2. Charge the battery by following the directions on the battery chargers label. Always fully charge the battery before the first use. Note: The initial charge of the battery can take longer than an hour.
3. When the charger is on, the green light stays on and blinks when the battery is inserted and then becomes solid when the battery is fully charged. **If the LED is red, disconnect the charger immediately.**
4. Insert the battery into the top of the sprayer by gently sliding it in until you hear a «click». To remove the battery press and hold the button on the battery and gently pull the battery off.



FULLY CHARGED

IPSPRO V7 BATTERY



CHARGER

### GENERAL INFORMATION:

The graduated knob of the IPSPRO sprayer makes it possible to adjust the flow rate of the pump. Average flow rates are indicated below:

- Position 1 : 0.85 L/Minute
- Position 2 : 0.97 L/Minute
- Position 3 : 1.10 L/Minute
- Position 4 : 1.22 L/Minute
- Position 5 : 1.34 L/Minute
- Position 6 : 1.46 L/Minute
- Position 7 : 1.58 L/Minute
- Position 8 : 1.70 L/Minute

### **LITHIUM ION BATTERY:**

The battery is fully charged when voltage reaches 16.7V. The voltage's battery should never fall below 11V in order to avoid irreversible destruction of the battery. The charging indicators (Orange LED) indicate the percentage of the charging of the battery:

3 LED lights: Voltage > 15.5V (Charge > 66%)

2 LED lights: Voltage is between 14.5V and 15.5V (Charge is between 33 and 66%)

1 LED lights: Voltage is between 14V and 14.5V (Charge is between 11 and 33%)

**NOTICE: 1 LED flashes, Voltage < 14V (Charge < 11%)**

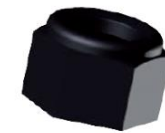


### **⚠ WARNING**

**The battery must be removed after each uses and wiped. The oxidation of the battery lugs will result in loss of the warranty. Never store the battery if it is completely discharged.**

### SPECIFIC AFTER USE RULES:

After use, rinse out the IPSPRO sprayer and tips by spraying 1 gallon of water (approximately 2 minutes) through the pump. Remove batteries after charging and unplug the battery charger when not in use. Dry the IPSPRO sprayer and all its accessories before storing them in the box. Dismantle and clean nozzles after use. It is recommended to lubricate the threaded parts of the nozzles with silicone grease.



1- NOZZLE NUT



2- BUZZARD



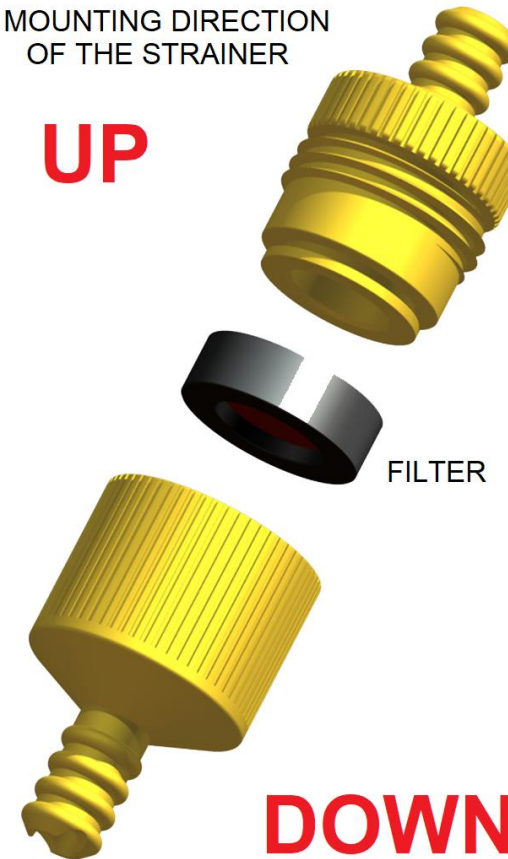
3- MALE QUICK CONNECTOR

### TROUBLESHOOTING & TIPS:

- 1. Starting the device:** Check the flow rate which must be in position 1 (graduated wheel).
- 2. Gun does not pull chemicals through the hose:** Usually this is caused by debris that have clogged the pump. First try to flush out the sprayer by attaching the hose to your gun, then insert the other end of your hose into a garden hose, or sink faucet, to gently "PUSH" water to the pump, while running the sprayer for a few minutes. Usually this will flush out any debris and the gun will start working normally again.
- 3. Lack of power:** Check out if the battery is fully charged. Check out if nozzle or filter are not blocked.
- 4. Discontinuous jet:** Check out if nozzle or filter are not blocked. Check out if the strainer filter is not blocked.
- 5. Leakage of liquid:** Check seals and the tightening of the nozzle.
- 6. Rigidity of the suction pipe:** If the temperature is too cold, aspirate hot water to restore its flexibility.

MOUNTING DIRECTION  
OF THE STRAINER

UP



**TROUBLESHOOTING**

[www.ipspro.us](http://www.ipspro.us)

INDEPENDENT POWER SPRAYER INDEPENDENT POWER SPRAYER INDEPENDENT POWER SPRAYER



**PRODUCT SPECIFICATIONS**

Model	<b>IPSPRO V7 SPRAYER</b>
Pump Material	Self Priming Pump
Valve	Viton
Max Pressure	7 bars – 90 PSI
Battery Security Type	Over Discharge
Battery Type	Lithium-ion 14.4V-2.2Ah
Working Hour	2 to 5 hours
Charger Time	1 to 2 hour(s)
Input Voltage	90 to 230V – 50/60Hz
Output Voltage	16.8V – 1.3A
Liquid Flow	0.85 to 1.70L/min – 0.25 to 0.5 gpm
Number of Nozzles	3
Packing Size	260*90*60
Standard	CE - ETL

**IPSPRO HELPLINE:** (1-301-519-9274) or [customerservice@ipspro.us](mailto:customerservice@ipspro.us)  
**IPSPRO LLC, WEST PALM BEACH, FL**



IPSPRO LLC hereby warrants this product to the original purchaser with proof of purchase for a period of 1 year against defects in materials, parts or workmanship. IPSPRO at its own discretion will repair or replace any and all parts found to be defective, through normal use, free of charge to the customer. **This warranty is valid only for units which have been maintained in accordance with the instructions in the owner's manual.** Transportation charges for the movement of any power equipment unit or attachment are the responsibility of the purchaser. It is the purchaser responsibility to pay transportation charges for any part submitted for replacement under this warranty unless such return is requested by IPSPRO LLC.